



ABN 43 064 478 842

➤ 231 Osborne Avenue Clayton South, VIC 3169  
 PO Box 1548, Clayton South, VIC 3169  
 t 03 9265 7400 f 03 9558 0875  
 freecall 1800 680 680  
[www.tmgtestequipment.com.au](http://www.tmgtestequipment.com.au)

## Test & Measurement

- sales
- rentals
- calibration
- repair
- disposal

## Complimentary Reference Material

This PDF has been made available as a complimentary service for you to assist in evaluating this model for your testing requirements.

TMG offers a wide range of test equipment solutions, from renting short to long term, buying refurbished and purchasing new. Financing options, such as Financial Rental, and Leasing are also available on application.

TMG will assist if you are unsure whether this model will suit your requirements.

Call TMG if you need to organise repair and/or calibrate your unit.

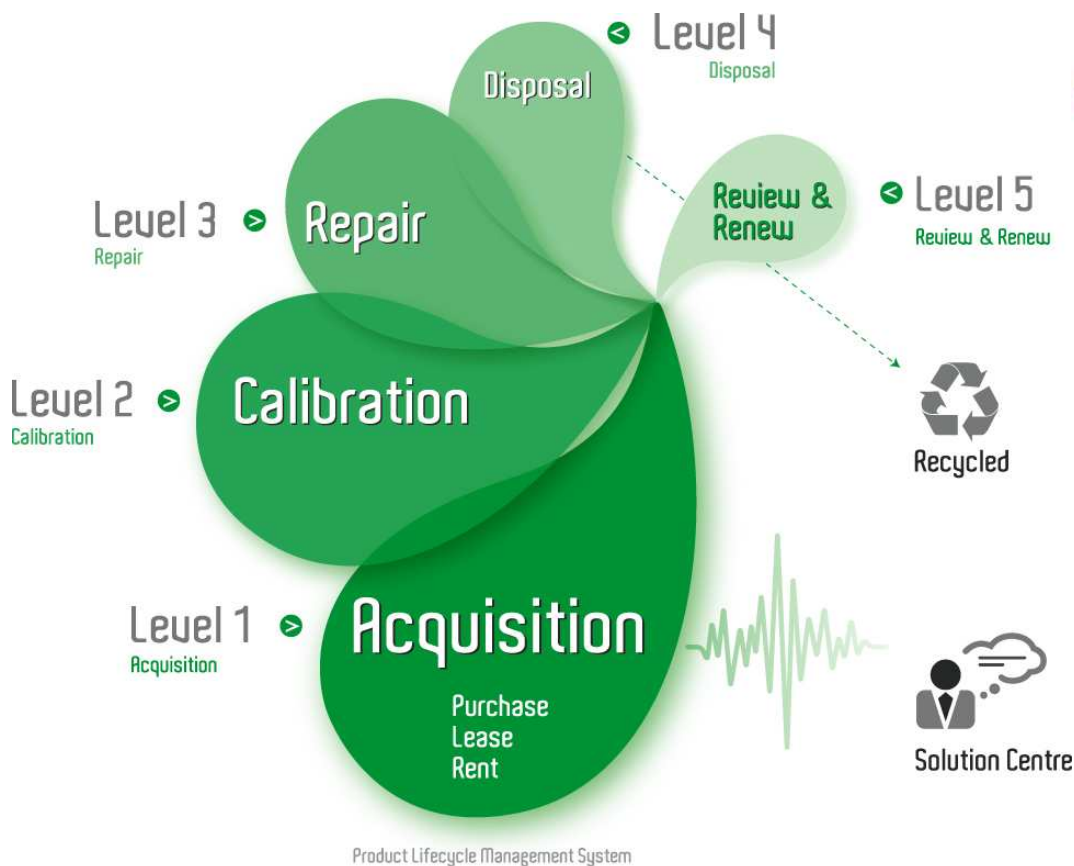
If you click on the “Click-to-Call” logo below, you can call us for FREE!

TMG Corporate Website

TMG Products Website



Click-to-Call  
TMG Now



Product Lifecycle Management System

**Disclaimer:**

All trademarks appearing within this PDF are trademarks of their respective owners.





## Type N Dual Coaxial Reflectometer Couplers



- Exceptionally High Directivity for Reflectometry Measurements
- Broadband Frequency Coverage
- Bilateral Male and Female Output Ports
- Low VSWR
- High Power

### Specifications

FREQUENCY RANGE GHz	MODEL	NOMINAL COUPLING dB	DIRECTIVITY dB (min)	VSWR		EQUIVALENT RESIDUAL VSWR (max)	ABSOLUTE CALIBRATION ACCURACY (Per 10 dB)	INSERTION LOSS	TRACKING dB	MAXIMUM DEVIATION from NOMINAL dB	POWER AVERAGE			WEIGHT lbs / kg (max)
				PRIMARY LINE POWER	SECONDARY LINE						INCIDENT W	REFLECTED W	PEAK kW	
0.05-1	3020A-20	20*	35	1.05	1.10	1.04	±0.1	.2	0.3	±1.0 from 250-1000 MHz	500	500	10	2.4 / 1.1
1-4	3022-20	20	1-3 GHz:30 3-4 GHz:27	1.15	1.15	1.09	±0.1	.3	0.3	±1.0	500	500	10	1.9 / 0.7
4-8	3024-20	20	25	1.15	1.20	1.12	±0.1	.6	0.3	±1.0	500	500	10	1.6 / 0.7

\*Coupling from 250 MHz to 50 MHz increase from 20 dB to 33 dB

#### NOTES:

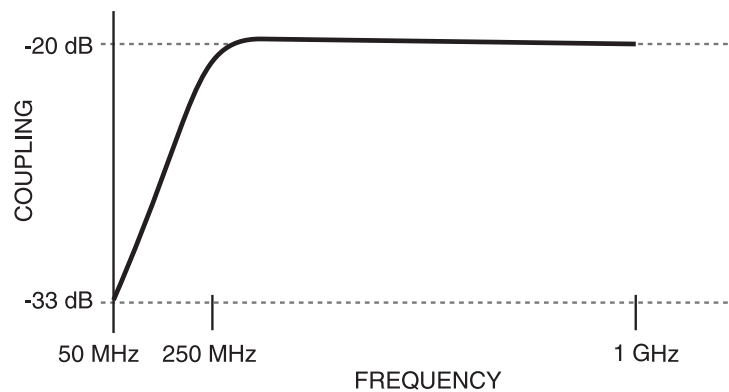
Model 3020A is usable down to 10 MHz; coupling will typically be 42-46 dB at this frequency.

Primary Connectors: 1 female, 1 male, Type N

Secondary Connectors: 2 female, Type N

Accessories supplied with all units above:

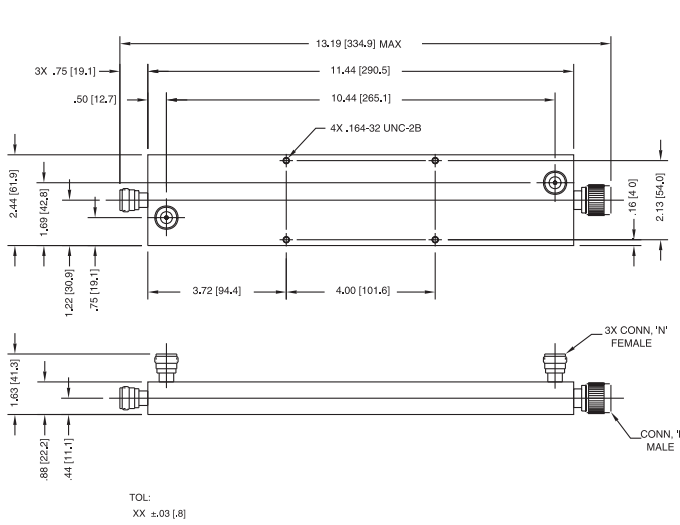
1 male short  
1 female short



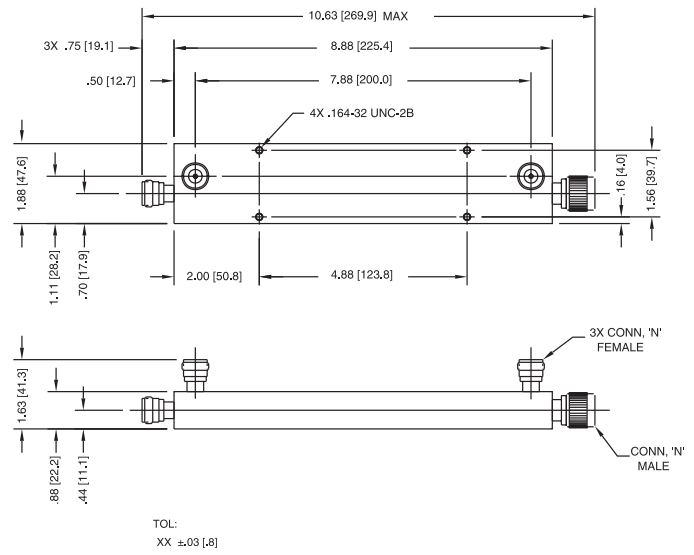
Model 3020A

# Couplers

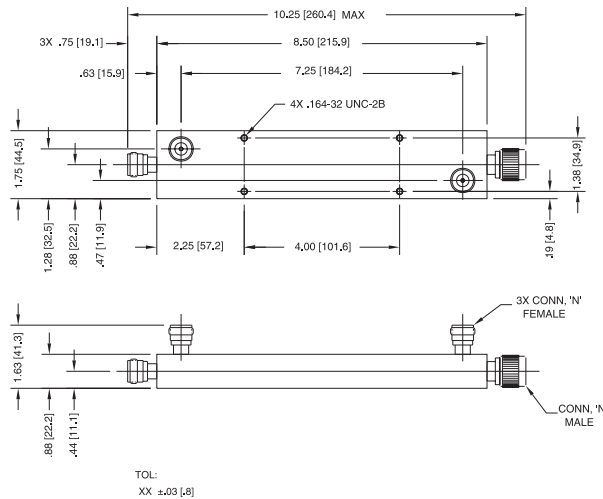
50 Years of  
Excellence



MODEL 3020A-20



MODEL 3022-20



MODEL 3024-20

All dimensions are max. unless otherwise specified

