



ABN 43 064 478 842

231 Osborne Avenue Clayton South, VIC 3169
PO Box 1548, Clayton South, VIC 3169
t 03 9265 7400 f 03 9558 0875
freecall 1800 680 680
www.tmgtestequipment.com.au

Test & Measurement

- > sales
- > rentals
- > calibration
- > repair
- > disposal

Complimentary Reference Material

This PDF has been made available as a complimentary service for you to assist in evaluating this model for your testing requirements.

TMG offers a wide range of test equipment solutions, from renting short to long term, buying refurbished and purchasing new. Financing options, such as Financial Rental, and Leasing are also available on application.

TMG will assist if you are unsure whether this model will suit your requirements.

Call TMG if you need to organise repair and/or calibrate your unit.

If you click on the "Click-to-Call" logo below, you can call us for FREE!

TMG Corporate Website

TMG Products Website



Click-to-Call
TMG Now



Product Lifecycle Management System

Disclaimer:

All trademarks appearing within this PDF are trademarks of their respective owners.



Instructions

Tektronix

**K400 Series Accessory Kit
Cable Support and Mouse Shelf**

070-9505-01

www.tektronix.com



070950501

Assembly

To install the mouse shelf, you will use these parts:

- 1 mouse shelf
- 2 weld nuts
- 2 1/4 20 cap head screws, 1/2 inch length
- 2 1/4 inch tooth lockwashers

Attach the mouse shelf to the cart as follows:

1. Remove the end cap from the post.
2. Loosely install the hardware in the bracket as shown in Figure 1.
3. Slide the nuts into the post, set the bracket to the desired height, and tighten the screws.
4. Replace the end cap as shown in Figure 2.

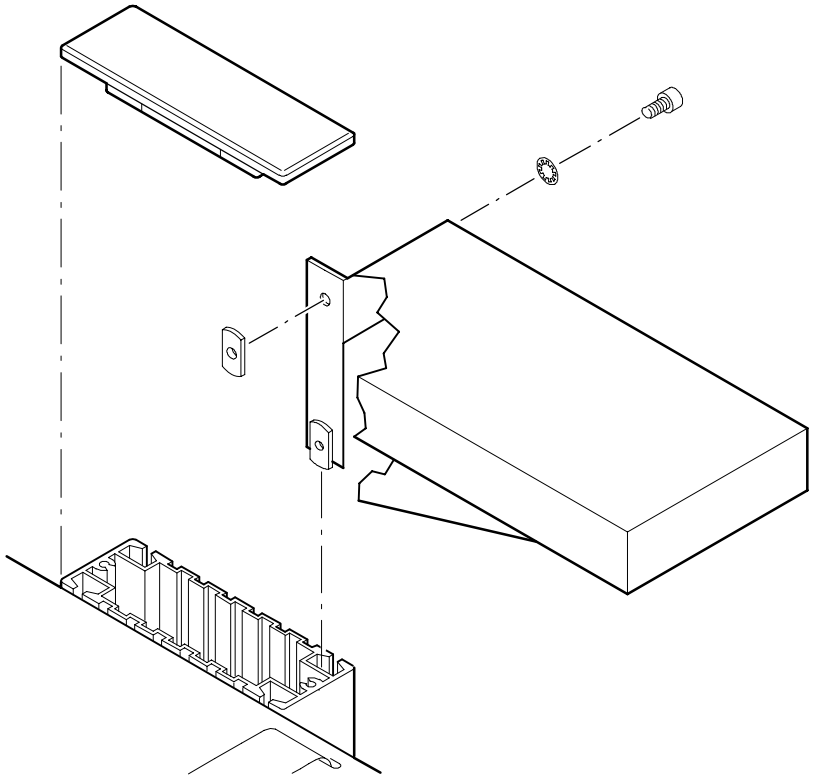


Figure 1: Installing the mouse shelf mounting hardware.

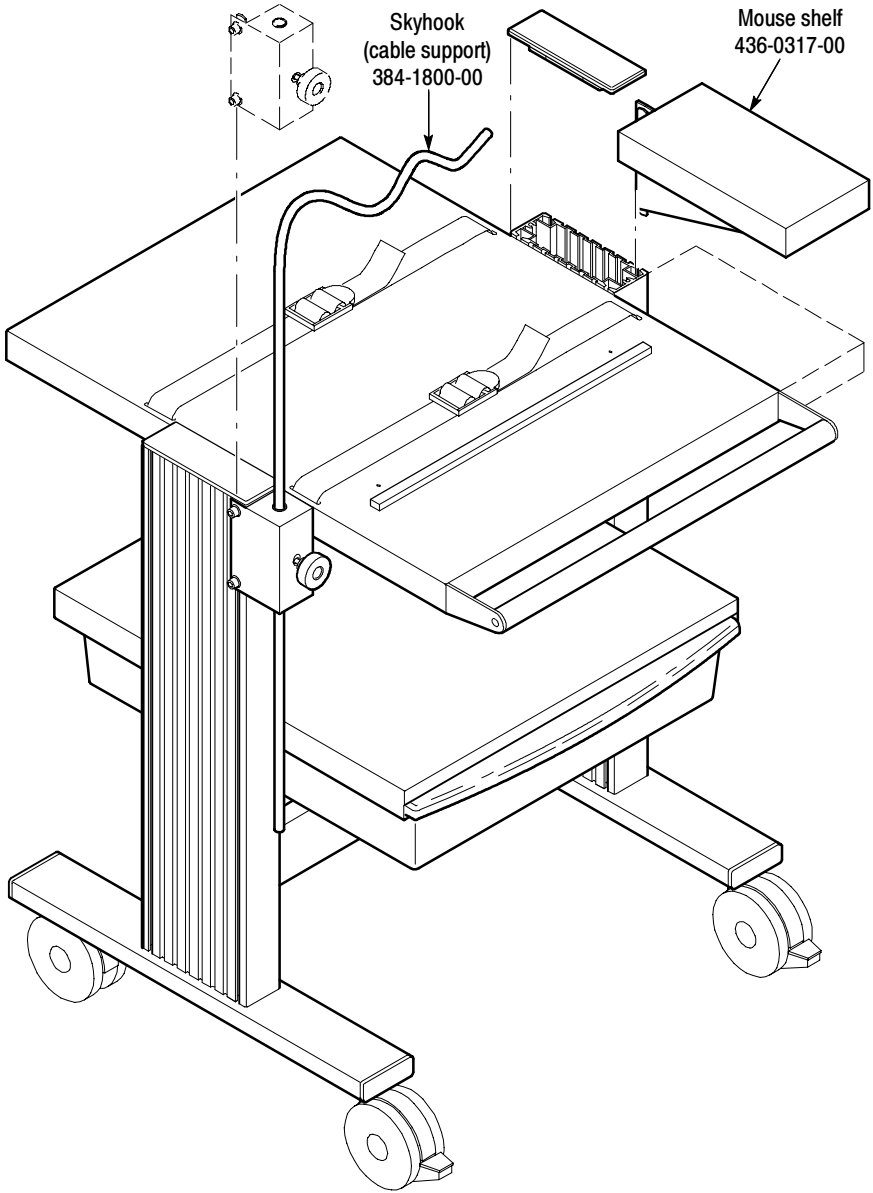


Figure 2: Replacing the end cap (K420 cart shown).

The skyhook (cable support) can be positioned on either side of the cart. To install the skyhook, you will use these parts:

- 1 sleeve
- 1 adjustment knob
- 1 mount
- 2 weld nuts
- 2 1/4 20 cap head screws, 1/2 inch length
- 2 1/4 inch tooth lockwashers
- 2 bushings
- 2 grommets

Install the skyhook (cable support) as follows:

1. Press the two grommets into the large holes on either side of the keyboard shelf.
2. Install the weld nuts, lockwashers and cap head screws on the mount as shown in Figure 3. Leave each screw assembly loose; do not screw the weld nut onto the cap head screw more than one full turn.
3. Prepare the cable support (skyhook) by first pressing the bushings into the holes in the top and bottom of the mount as shown in Figure 3. Next place the sleeve on the inside of the mount and align the sleeve with the openings in the top and bottom of the mount. Slide the skyhook through the top of the mount and through the sleeve. Now install the adjustment knob and tighten lightly to secure the skyhook.
4. Slide the skyhook assembly slowly onto the cart, capturing the weld nuts in the track. Position where desired and then tighten with the 3/16 inch Allen Wrench.
5. Set the skyhook (cable support) to the desired height and tighten the knob.
6. Replace the end cap(s).

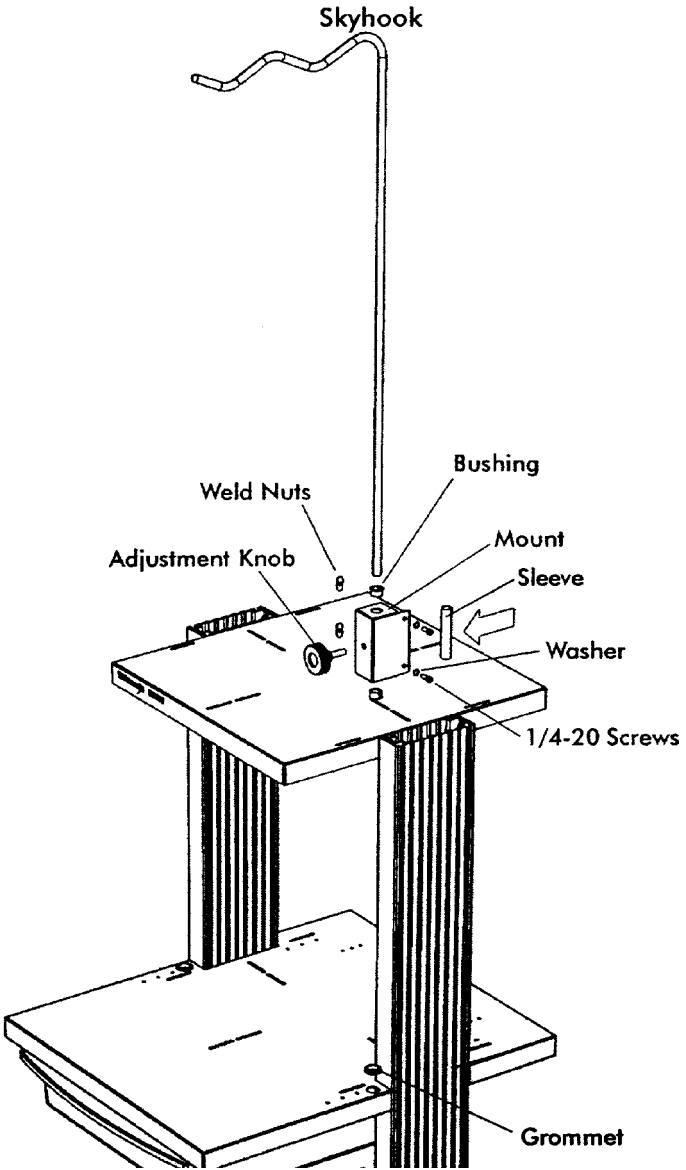


Figure 3: Installing the skyhook (cable support) hardware (K4000 cart shown).

Warranty 15

Tektronix warrants that the product will be free from defects in materials and workmanship for a period of one (1) year from the date of original purchase from an authorized Tektronix distributor. If the product proves defective during this warranty period, Tektronix, at its option, either will repair the defective product without charge for parts and labor, or will provide a replacement in exchange for the defective product. Batteries are excluded from this warranty. Parts, modules and replacement products used by Tektronix for warranty work may be new or reconditioned to like new performance. All replaced parts, modules and products become the property of Tektronix.

In order to obtain service under this warranty, Customer must notify Tektronix of the defect before the expiration of the warranty period and make suitable arrangements for the performance of service. Customer shall be responsible for packaging and shipping the defective product to the service center designated by Tektronix, shipping charges prepaid, and with a copy of customer proof of purchase. Tektronix shall pay for the return of the product to Customer if the shipment is to a location within the country in which the Tektronix service center is located. Customer shall be responsible for paying all shipping charges, duties, taxes, and any other charges for products returned to any other locations.

This warranty shall not apply to any defect, failure or damage caused by improper use or improper or inadequate maintenance and care. Tektronix shall not be obligated to furnish service under this warranty a) to repair damage resulting from attempts by personnel other than Tektronix representatives to install, repair or service the product; b) to repair damage resulting from improper use or connection to incompatible equipment; c) to repair any damage or malfunction caused by the use of non-Tektronix supplies; or d) to service a product that has been modified or integrated with other products when the effect of such modification or integration increases the time or difficulty of servicing the product.

THIS WARRANTY IS GIVEN BY TEKTRONIX WITH RESPECT TO THE PRODUCT IN LIEU OF ANY OTHER WARRANTIES, EXPRESS OR IMPLIED. TEKTRONIX AND ITS VENDORS DISCLAIM ANY IMPLIED WARRANTIES OF MERCHANTABILITY OR FITNESS FOR A PARTICULAR PURPOSE. TEKTRONIX' RESPONSIBILITY TO REPAIR OR REPLACE DEFECTIVE PRODUCTS IS THE SOLE AND EXCLUSIVE REMEDY PROVIDED TO THE CUSTOMER FOR BREACH OF THIS WARRANTY. TEKTRONIX AND ITS VENDORS WILL NOT BE LIABLE FOR ANY INDIRECT, SPECIAL, INCIDENTAL, OR CONSEQUENTIAL DAMAGES IRRESPECTIVE OF WHETHER TEKTRONIX OR THE VENDOR HAS ADVANCE NOTICE OF THE POSSIBILITY OF SUCH DAMAGES.

組み立て

マウス用棚板を取り付けるには、次のパーツを使用します。

- マウス用棚板 1個
- ナット 2個
- 1/4-20 キャップ・ヘッド型ネジ、1/2 インチ長 2個
- 1/4 インチ・ロックワッシャ 2個

台車にマウス用棚板を取り付けるには、次の手順に従ってください。

1. 支柱からエンド・キャップを取り外します。
2. 図1に示すように、ネジ、ナット、およびロックワッシャをブラケットにゆるめに取り付けます。
3. ナットを支柱内に通し、ブラケットを希望する高さにセットし、ネジを締めます。
4. 図2に示すように、エンド・キャップを元の場所に取り付けます。

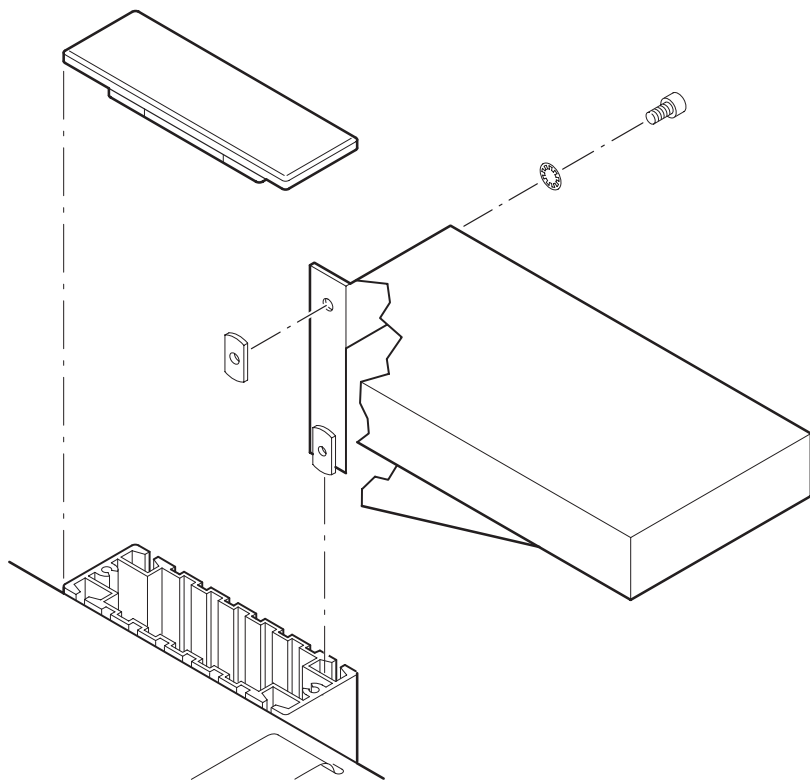


図 1 : マウス用棚板の取り付け

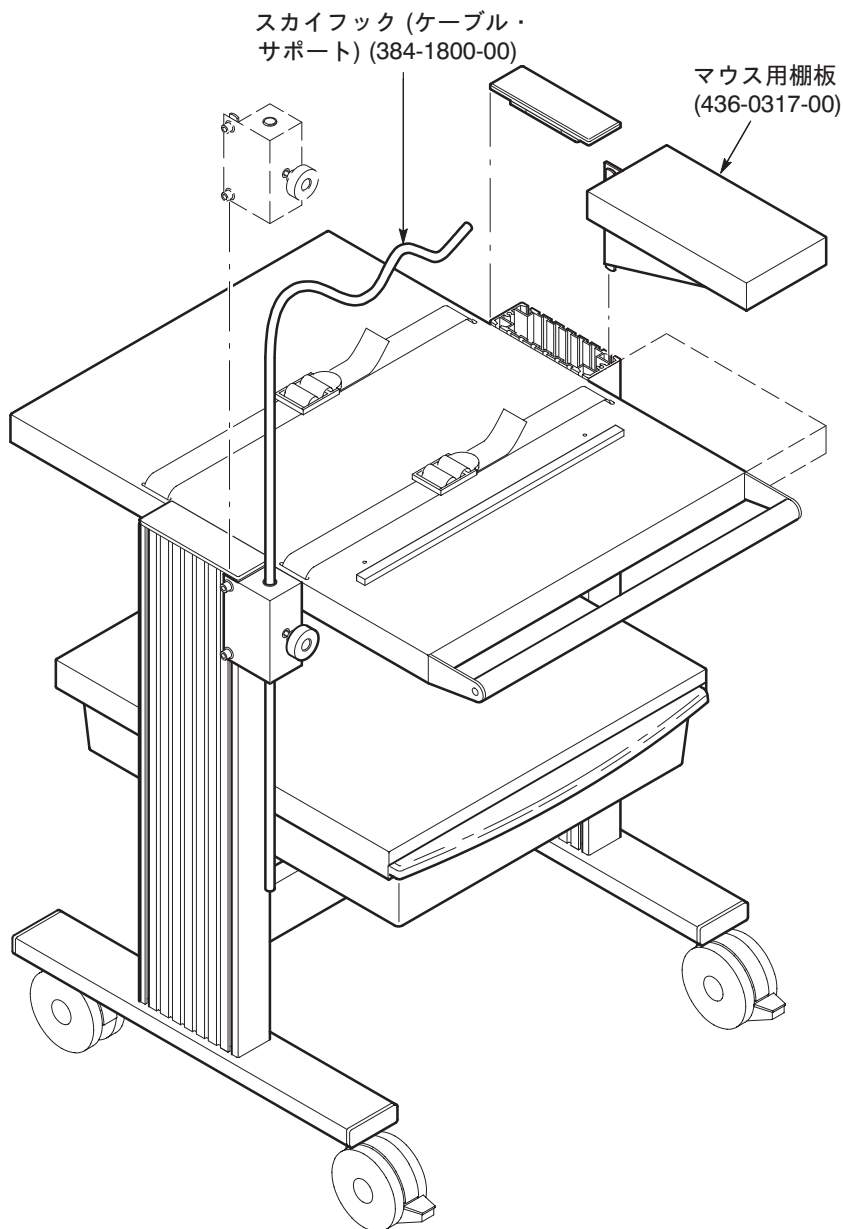


図 2 : エンド・キャップの取り付け (K420 型台車)

スカイフック (ケーブル・サポート) は、台車のどちら側にも取り付けることができます。スカイフックを取り付けるには、次のパーツを使用します。

- スリーブ 1個
- 調整ノブ 1個
- マウント 1個
- ナット 2個
- 1/4-20 キャップ・ヘッド型ネジ、1/2 インチ長 2個
- 1/4 インチ・ロックワッシャ 2個
- ブッシング 2個
- グロメット 2個

スカイフックを取り付けるには、次の手順に従ってください。

1. キーボード用棚板の左右いずれかの大きい穴にグロメット 2 個を取り付けます。
2. 図 3 に示すように、ナット、ロックワッシャ、およびキャップ・ヘッド型ネジをマウントに取り付けます。ネジは固く締めずにゆるめにしておきます。ナットを 1 回転以上締めないでください。
3. 図 3 に示すように、最初にブッシングをマウントのトップとボトム穴に押し込みます。次に、スリーブをマウントの中に入れ、マウントの上下の隙間で位置調整をします。スカイフックをマウントの上からスライドさせ、スリーブの中を通します。ここで調整ノブを取り付け、軽く締めてスカイフックが動かないようにします。
4. スカイフック・アセンブリをゆっくりと台車に沿って位置合わせをし、3/16 インチの六角レンチを使って適当な位置でネジを締めます。
5. スカイフックを希望する高さにセットし、調整ノブを締めます。
6. エンド・キャップを元の場所に取り付けます。

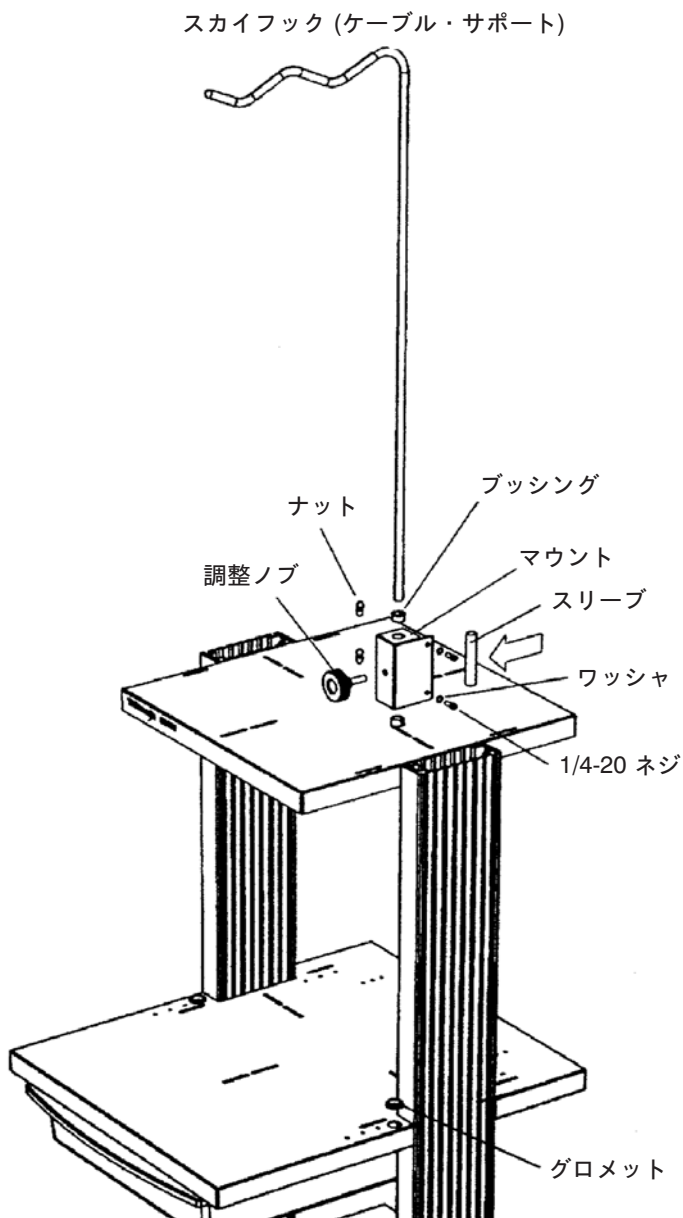


図 3 : スカイフック (ケーブル・サポート) の取り付け (K4000 型台車)

