



ABN 43 064 478 842

231 Osborne Avenue Clayton South, VIC 3169  
PO Box 1548, Clayton South, VIC 3169  
t 03 9265 7400 f 03 9558 0875  
freecall 1800 680 680  
www.tmgtestequipment.com.au

## Test & Measurement

- > sales
- > rentals
- > calibration
- > repair
- > disposal

## Complimentary Reference Material

This PDF has been made available as a complimentary service for you to assist in evaluating this model for your testing requirements.

TMG offers a wide range of test equipment solutions, from renting short to long term, buying refurbished and purchasing new. Financing options, such as Financial Rental, and Leasing are also available on application.

TMG will assist if you are unsure whether this model will suit your requirements.

Call TMG if you need to organise repair and/or calibrate your unit.

If you click on the "Click-to-Call" logo below, you can call us for FREE!

TMG Corporate Website

TMG Products Website



Click-to-Call  
TMG Now



Product Lifecycle Management System

### Disclaimer:

All trademarks appearing within this PDF are trademarks of their respective owners.



# Logic Analyzers



COMPUTING  
COMMUNICATIONS  
VIDEO

► TLA600 and TLA700 Series Logic Analyzers.

## TLA Family

The TLA Family of logic analyzers consists of the TLA600 Series and the TLA700 Series. The TLA600 Series offers a selection of stand-alone logic analyzer instruments at prices that make 500 ps timing resolution available to designers of today's mainstream embedded systems. The TLA700 Series offers the highest performance for today's demanding applications and consists of portable and benchtop modular mainframes with expansion mainframe capability. Instrument modules include logic analyzer, pattern generator and digital oscilloscope. A full line of complementary support products for popular processors and buses is available for the entire TLA family.

- 8 GHz MagniVu™ Acquisition Technology Provides up to 125 ps Timing Resolution on All Channels All the Time Through the Same Probe
- Up to 800 MHz State Acquisition with 1.25 Gb/s Data Rate for Advanced Processors and Buses
- Simultaneous State, High-speed Timing and Analog Measurement Analysis Through the Same Probe Pinpoints Elusive Faults

- 34/68/102/136-Channel Logic Analyzers with up to 256 Mb Depth with Hardware-accelerated Waveform Display and Search Functions to Rapidly Analyze Acquired Data
- 4-Channel Digital Oscilloscope with up to 1 GHz, 5 GS/s Provides High-fidelity Signal Quality Measurements of Digital Signals
- 64-Channel Pattern Generator with up to 268 MHz and up to 2 Mb Depth Provides Stimulus for Functional Verification, Debugging and Stress Testing
- Integrated View (iView™) Capability Provides up to 6 GHz, 20 GS/s, and 32 Mb with a Stand-alone Tektronix TDS Digital Storage Oscilloscope
- TLAVu™ and PatGenVu™ Off-line Analysis Capability for Viewing Data and Creating Setups on a Separate PC
- Microsoft® Windows® 2000 Professional PC Platform Provides Familiar User Interface with Network Connectivity

### Applications

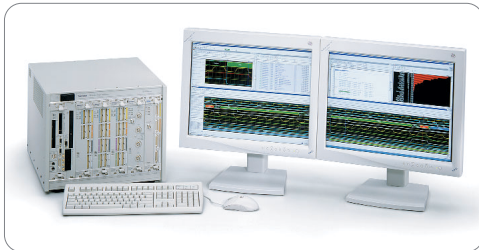
- Hardware Debug and Verification
- Processor/Bus Debug and Verification
- Embedded Software Integration, Debug and Verification

# Tektronix Logic Analyzers

▶ Detailed Product Information

## TLA700 Series

Performance and Modular Flexibility for Your Toughest Design Challenges



▶ **Benchtop Modular Mainframe**

TLA721 with logic analyzer, pattern generator and digital oscilloscope modules



▶ **Portable Modular Mainframe**

TLA715 with logic analyzer, pattern generator and digital oscilloscope modules

## TLA600 Series

Affordable Timing and State Logic Analyzers for Your Mainstream Design Needs



▶ **Logic Analyzer with Internal Display**

TLA61x and TLA62x



▶ **Logic Analyzer with External Display**

TLA60x

**Table of Contents**

Logic Analyzers .....	1	Characteristics	
TLA Family Selection Guide .....	4	TLA700 Series Mainframes .....	15
Tektronix Logic Analyzer Probe Selection Guide .....	6	TLA7Axx Logic Analyzer Modules .....	19
System Overview .....	7	TLA7Nx/Px/Qx Logic Analyzer Modules .....	21
Breakthrough Solutions for Real-time Digital Systems Analysis .....	9	TLA7Dx/Ex Digital Storage Oscilloscope Modules .....	22
Find and Analyze your Difficult Real-time Software Problems .....	11	TLA7PG2 Pattern Generator Module .....	24
Enhance Productivity through Familiarity, Connectivity and Modularity .....	13	TLA600 Series .....	28
		Ordering Information	
		TLA700 Series Mainframes .....	32
		TLA7Axx Logic Analyzer Modules .....	33
		TLA7Nx/Px/Qx Logic Analyzer Modules .....	35
		TLA7Dx/Ex Digital Storage Oscilloscope Modules .....	39
		TLA7PG2 Pattern Generator Module .....	40
		TLA600 Series .....	42
		TLA Family Service Options .....	43

# Tektronix Logic Analyzers

► Detailed Product Information

## TLA Family Selection Guide

Applications	TLA6xx	TLA715	TLA721
Timing and State Analysis	Yes	Yes	Yes
Single-processor/Bus Analysis	Yes	Yes	Yes
Real-time Instruction Trace Analysis	Yes	Yes	Yes
Source Code Debug	Yes	Yes	Yes
Performance Analysis	Yes	Yes	Yes
Multi-processor/Bus Analysis	–	Yes	Yes
Digital Stimulus and Control	–	Yes	Yes
Digital Signal Quality Analysis	Yes	Yes	Yes
System Validation	–	–	Yes

TLA Mainframe Selection	TLA6xx	TLA715	TLA721	TLA7XM
Type of Mainframe	Non-modular	Modular	Modular	Expansion – Modular
Number of Module Slots	N/A	2	5	6
Operating System	Microsoft Windows 2000 Professional			N/A
Internal Display Resolution	800x600 (TLA61x/62x only; TLA60x requires external display)	800x600	Requires external display	N/A
External Display Resolution	1280x1024	1600x1200	1600x1200	N/A
Number of External Displays	1	4 (with two PCMCIA video adapters)	4 (with two PCMCIA video adapters)	N/A
Standard Data Window Types	Waveform, Listing, Histogram (Performance Analysis), Source Code			N/A
Remote Control with Microsoft COM/DCOM	Yes	Yes	Yes	N/A

TLA Logic Analyzer Selection	TLA6xx	TLA7Nx/Px/Qx	TLA7Axx
Channels	34, 68, 102, 136 per instrument	34, 68, 102, 136 per module	34, 68, 102, 136 per module
Max Channels per Timebase (merged)	136	272 in TLA715 408 in TLA721	272 in TLA715 680 in TLA721
Max Channels per Mainframe	136	272 in TLA715 680 in TLA721	272 in TLA715 680 in TLA721
Max Channels per System	136	1,768 (with TLA715 and two TLA7XMs) 8,160 (with TLA721 and ten TLA7XMs)	1,768 (with TLA715 and two TLA7XMs) 8,160 (with TLA721 and ten TLA7XMs)
Max Independent Buses per System	1	13 (with TLA715 and two TLA7XMs) 60 (with TLA721 and ten TLA7XMs)	13 (with TLA715 and two TLA7XMs) 60 (with TLA721 and ten TLA7XMs)
State Clock Rate	100 MHz std. 200 MHz opt.	100 MHz std. 200 MHz opt.	120 MHz std. 235, 450 MHz opt.
Max State Clock Rate (half channel mode)	200 MHz	200 MHz	800 MHz
Max State Data Rate	400/200 Mb/s (half/full channels)	400/200 Mb/s (half/full channels)	1,250/900/450 Mb/s (quarter/half/full channels)
MagniVu Timing (all channels, all the time)	2 GHz (500 ps) with 2 Kb depth	2 GHz (500 ps) with 2 Kb depth	8 GHz (125 ps) with 16 Kb depth
Simultaneous State and Timing Through Same Probe	Yes	Yes	Yes
Analog Measurements Through Same Probe	No	No	Yes

TLA Logic Analyzer Selection (cont.)	TLA6xx	TLA7Nx/Px/Qx	TLA7Axx
Deep Timing	500 MHz (2 ns)/250 MHz (4 ns) (half/full channels)	500 MHz (2 ns)/250 MHz (4 ns) (half/full channels)	2 GHz (500 ps)/1 GHz (1 ns)/500 MHz (2 ns) (quarter/half/full channels)
Memory Depth	128/64 Kb to 2/1 Mb (half/full channels with timestamp)	128/64 Kb to 128/64 Mb (half/full channels with timestamp)	512/256/128 Kb to 256/128/64 Mb (quarter/half/full channels with timestamp)
Source Synchronous Clocking	No	No	Yes
Analog Outputs (four per module – analog MUX)	No	No	Yes

Digital Storage Oscilloscope Capability	TLA7Dx/Ex Modules (Internal)	TDS Oscilloscopes*1 (External)
Channels per Module	2 & 4	2 & 4
Max Channels per Mainframe	8 (TLA715) 20 (TLA721)	4
Max Channels per System	52 (with TLA715 and two TLA7XMs) 240 (with TLA721 and ten TLA7XMs)	4
Bandwidth	500 MHz & 1 GHz	100 MHz to 6 GHz
Sample Rate	2.5 GS/s & 5 GS/s	1.25 GS/s to 20 GS/s
Vertical Resolution	8-Bits	8-Bits and 9-Bits
Memory Depth	15 Kb	10 Kb to 32 Mb

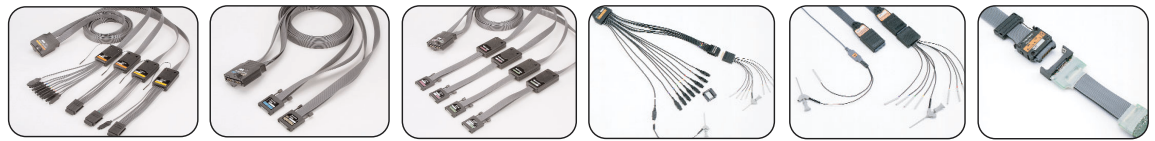
TLA Pattern Generator Module	TLA7PG2
Channels	64
Max Channels per Bus (merged)	128 (with TLA715) 320 (with TLA721)
Max Channels per Mainframe	128 (with TLA715) 320 (with TLA721)
Max Channels per System	832 (with TLA715 and two TLA7XMs) 3,840 (with TLA721 and ten TLA7XMs)
Pattern Speed (half/full channels)	268/134 MHz
Memory Depth (half/full channels)	512 / 256 Kb to 2 / 1 Mb
Logic Families Supported	CMOS/TTL, ECL, LVCMOS, PECL/LVPECL, LVDS, Variable

\*1 For a complete list of currently supported TDS oscilloscopes, please visit our website <http://www.tektronix.com/view>.

# Tektronix Logic Analyzers

► Detailed Product Information

## Tektronix Logic Analyzer Probe Selection Guide



P6810

P6860

P6880

P6417

P6418

P6434

Logic Analyzer Used	TLA7AAx Logic Analyzer Modules TLA7ABx Logic Analyzer Modules			TLA6xx Logic Analyzers TLA7Lx/7Mx Logic Analyzer Modules TLA7Nx/7Px/7Qx Logic Analyzer Modules		
Recommended Use	Recommended for most general-purpose uses that require maximum flexibility for single-ended or differential requirements	Recommended for applications requiring many channels to be quickly connected in a small footprint	Recommended for applications requiring many differential channels to be quickly connected in a small footprint	Recommended for most general-purpose uses that require maximum flexibility	Recommended for most general-purpose uses	Recommended for applications requiring many channels to be quickly connected in a small footprint
Attachment to Target System	Probe leadsets adapt to industry standard interfaces; leads spread over a wide area	Connectorless “compression” contact (Adapter for Mictor connector available)	Connectorless “compression” contact (Adapter for Mictor connector available)	Probe leadsets adapt to industry standard interfaces; leads spread over a wide area	Probe leadsets adapt to industry standard interfaces	AMP Mictor 34-channel connector (Adapter to use P6434 with P6860/80 high-density compression land footprint available)
Probe Type	General-purpose, 34-channel active probe	High-density, 34-channel active probe	High-density, 34-channel active differential probe	General-purpose, 17-channel passive probe	General-purpose, 17-channel passive probe	High-density, 34-channel passive probe AMP Mictor connector required
Pin Spacing Supported	0.100 in. and 2 mm	N/A	N/A	0.100 in.	0.100 in.	N/A
Logic Signals Supported	Differential Clock Differential Data	Differential Clock Single-ended Data	Differential Clock Differential Data	Single-ended Clock and Data (Differential signal adapters available)	Single-ended Clock and Data (Differential signal adapters available)	Single-ended Clock and Data
Simultaneous State/ Timing to:	800 MHz/ 8 GHz	800 MHz/ 8 GHz	800 MHz/ 8 GHz	200 MHz/ 2 GHz	200 MHz/ 2 GHz	200 MHz/ 2 GHz
Simultaneous State/ Timing/Analog to:	800 MHz/ 8 GHz/2 GHz	800 MHz/ 8 GHz/2 GHz	800 MHz/ 8 GHz/2 GHz	N/A	N/A	N/A
Minimum Signal Amplitude Minimum Single-ended Minimum Differential	300 mV <sub>p-p</sub> V <sub>max</sub> – V <sub>min</sub> ≥ 150 mV	300 mV <sub>p-p</sub> V <sub>max</sub> – V <sub>min</sub> ≥ 150 mV	300 mV <sub>p-p</sub> V <sub>max</sub> – V <sub>min</sub> ≥ 150 mV	500 mV <sub>p-p</sub> N/A	500 mV <sub>p-p</sub> N/A	500 mV <sub>p-p</sub> N/A
Probe Load AC/DC	1.2 pF/20 kΩ to Ground	0.7 pF/20 kΩ to Ground	0.7 pF/20 kΩ to Ground	2 pF/20 kΩ to 2.2 V (Low-voltage adapters that work with low-voltage signals are available)	2 pF/20 kΩ to 2.2 V (Low-voltage adapters that work with low-voltage signals are available)	2 pF/20 kΩ to 2.2 V
Notes	Works with a wide range of industry-standard accessories for flexible attachment to your target system	No connector required: only land pads required to be laid out on target system PCB for 17 and/or 34 channels. Please refer to P6860/6880 probe design guide	No connector required: only land pads required to be laid out on target system PCB for 17 and/or 34 channels. Please refer to P6860/6880 probe design guide	Works with a wide range of industry-standard accessories for flexible attachment to your target system	Works with a wide range of industry-standard accessories for flexible attachment to your target system	Requires AMP Mictor connector to be installed on target system PCB for every 34 channels. Please refer to P6434 probe manual

## System Overview - Features and Benefits

### System Capability

Flexible Acquisition and Stimulus – Logic Analyzer Acquisition Modules – Digital Oscilloscope Modules – Pattern Generator Modules – Integrated View (iView)	– TLA600 Series offers similar measurement capability as modular series in fixed channel widths for mainstream digital designers.
	– TLA700 Series modular approach allows you to select the optimum combination of stimulus and acquisition to fit your performance, feature, and budget requirements.
	– System software, setup information, data files common to both TLA600 and TLA700 instruments enabling easy data and file sharing between groups or instruments.
	– Real-time correlated data views provide system level visibility from high-level source code to high-speed state & timing to analog characteristics of digital signals.
	– Utilize industry leading TDS oscilloscopes to view time-correlated analog and digital data in the same TLA display.
Enhanced TLA700 Mainframe Hardware	– Pentium® III processor, with up to 60 GB hard disk, 512 MB system RAM, and CDRW provides a powerful platform for data analysis.
	– Multiple monitor support, each with up to 1600 x 1200 resolution, to see more data.
Expansion Capability	– By connecting up to 10 expansion mainframes you can simultaneously view time-correlated data for multi-bus designs (up to 60 individual buses) using up to 8160 channels, each with up to 256 Mb memory depth.
TLAVu, PatGenVu Offline Analysis	– Utilize this free application software to analyze data or create setups on a separate PC.
Upgrade, trade-in capability	– Upgrade kits offer upgrades to system RAM, hard disk, TLA application software, operating system software, iView capability and controllers to help protect investments and allow test equipment to change as measurement needs change.
	– PowerFlex™ program provides customer installable upgrades on measurement modules including faster state speed and additional memory depth to allow the flexibility to upgrade instrumentation over time.
	– Mainframe and module trade-in programs protect investments by providing discounts on future measurement equipment.

### Measurement Modules and Key Interface Features

TLA7Axx Logic Analyzer Modules	– 8 GHz MagniVu™ timing, 120 to 800 MHz state acquisition (up to 1.25 Gb/s data rate), 128 Kb to 256 Mb memory depth capability provide enough power to capture and debug the fastest and most complex high-speed digital designs.
TLA7Nx/Px/Qx Logic Analyzer Modules	– 2 GHz MagniVu timing, 100 to 200 MHz state acquisition (up to 400 Mb/s data rate), and 64 Kb to 128 Mb memory depth capability provide the tools necessary to address a wide range of digital designs.
TLA6xx Logic Analyzers	– 2 GHz MagniVu timing, 100 to 200 MHz state acquisition (up to 400 Mb/s data rate), and 64 Kb to 2 Mb memory depth capability provide analysis tools to address mainstream digital design and debug.
TLA7Dx/Ex Digital Oscilloscope Modules	– 500 MHz and 1 GHz, 2.5 and 5 GS/s, 2 and 4 channel oscilloscope modules provide analog trace capture time-correlated with digital data.
TLA7PG2 Pattern Generator Module	– 64 Channel, up to 268 MHz, and up to 2 Mb vector depth along with probes supporting multiple logic levels and variable delays provides a flexible solution for device simulation and hardware verification.
Integrated View (iView)	– Up to 6 GHz, 20 GS/s, 4 channel TDS oscilloscope data automatically time-correlated with TLA digital data on the logic analyzer display.
	– Route any four logic analyzer input channels to the four analog signal output BNC connectors on the TLA7Axx module. Connect an internal oscilloscope module or external TDS oscilloscope to view analog signal information.
	– Analog signal outputs are always active allowing visibility of analog information at all times.
MagniVu Technology	– MagniVu acquisition technology provides up to 125 ps timing resolution simultaneous with state acquisition on all channels all the time.



# Tektronix Logic Analyzers

► Detailed Product Information

## Measurement Modules and Key Interface Features (cont.)

EasyTrigger	<ul style="list-style-type: none"><li>– Graphical and textual trigger descriptions to easily define a trace event.</li><li>– Trigger interface quickly sets up the powerful trigger state machine to save time in debug efforts.</li><li>– Over 100 pre-defined categorized trigger programs to choose from.</li></ul>
PowerTrigger	<ul style="list-style-type: none"><li>– Programmable trigger interface for creating specialized triggers to aid in tracking down elusive problems.</li></ul>
Triggering	<ul style="list-style-type: none"><li>– State-based trigger machine with 16 states available to aid in finding complex problems in digital designs.</li><li>– Decrement counters.</li><li>– 16 transition recognizers.</li><li>– “Snapshot” trigger that loads a current state on the fly for use later in a trigger program.</li><li>– Separate MagniVu™ trigger action to view high-speed timing information where it is needed most.</li></ul>
Processor and Bus Support	<ul style="list-style-type: none"><li>– Acquire real-time trace of processor or bus cycles without interfering with bus operation.</li><li>– High-level source code analysis correlates high-level language with real-time trace.</li><li>– Symbolic debug with unlimited number of symbols. Object file formats supported include IEEE695, OMF51/86/166/286/386, COFF, Elf/Dwarf 1 &amp; 2, Elf/Stabs, and TSF (Tektronix Symbol Format).</li><li>– Monitor and correlate multiple processors or buses simultaneously with the TLA700 series logic analyzer.</li></ul>
Direct Links to EDA Tools	<ul style="list-style-type: none"><li>– Use captured logic analysis data to generate simulation vectors.</li><li>– Easily perform hardware verification by comparing captured data with simulation data.</li></ul>

## Documentation, Remote Programming

Documentation Capability	<ul style="list-style-type: none"><li>– Utilize the pre-installed SnagIt™ graphical capture software to save graphics as TIF, PCX, JPG, BMP, GIF files or send them directly to a local or networked printer.</li><li>– Capture any window, region, or object on the screen.</li><li>– Start SnagIt directly from the TLA application software.</li></ul>
Data Export	<ul style="list-style-type: none"><li>– Export data in ASCII, binary, or Tektronix .tla file formats for offline use.</li></ul>
Remote Programming with Microsoft's COM/DCOM Interface	<ul style="list-style-type: none"><li>– Control logic analyzer operation using TLA Programmatic Interface (TPI) providing automated operation of the TLA.</li></ul>

## TLA Application Software

Microsoft Windows 2000 Professional	<ul style="list-style-type: none"><li>– Open Windows interface provides a familiar user interface and network connectivity.</li></ul>
Multiple Analysis Windows	<ul style="list-style-type: none"><li>– View data in waveform, listing, source, or histogram windows to better analyze cross-domain data from a target system.</li><li>– Lock multiple windows of data together for improved analysis of correlated data.</li></ul>
Global Cursors and Marks	<ul style="list-style-type: none"><li>– Utilize multiple cursors and user-definable marks to aid in the analysis of data across multiple data windows.</li><li>– Lock cursors together in data windows providing constant offsets to make measurements quickly.</li></ul>
Flexible Data Views	<ul style="list-style-type: none"><li>– Quickly zoom in on areas of interest, resize waveforms, overlay analog and digital waveforms, make analog measurements, label waveforms, and color code symbols to customize the display for easy analysis of complex digital systems.</li></ul>
Web-Enabled System	<ul style="list-style-type: none"><li>– Quickly and easily run a TLA over a network from a workstation or over the Internet.</li><li>– Transfer data over the network for offline analysis using TLAVu.</li></ul>
Network Security	<ul style="list-style-type: none"><li>– Utilize the built-in security of Windows 2000 Professional to protect the data integrity of your files.</li></ul>

## Breakthrough Solutions for Real-time Digital Systems Analysis



As a digital design engineer, you're dealing with faster edge speeds and tighter timing margins that create more signal integrity issues than ever before.

The Tektronix TLA Family of logic analyzers delivers a wide range of powerful solutions. The TLA's iView capability enables you to observe how the digital and analog worlds interact. Connecting an external oscilloscope to your TLA delivers an integrated measurement solution that can capture and display both domains in a single time-correlated view.

For every task you face, the TLA's innovative MagniVu technology provides 125 ps timing resolution on all channels – all the time – through the same probe. Our industry-leading logic analyzers provide up to 800 MHz state acquisition with 1.25 Gb/s data rate for advanced processors and buses. And simultaneous state, high-speed timing and analog analysis pinpoints elusive faults.

The TLA Family also works with the world's first connectorless logic analyzer probes, only from Tektronix.

These high-performance, low-capacitance (0.7 pF total capacitance), active logic analyzer probes provide cleaner signals and reduce layout complexity and cost. The probes support both single-ended and differential signals with the same pattern.

This is the kind of performance you expect from Tektronix – with productivity and connectivity tools that will greatly shorten your time to market.

### Timing Resolution

Whether you are debugging a high-performance computer or part of an embedded system, the timing parameters of your designs demand sub-nanosecond resolution. Logic analyzers that only offer 4 ns timing resolution are simply not adequate to capture today's complex problems. Nobody wants to trade off channels for resolution, buy separate timing modules, or trade up to more expensive hardware to get the resolution today's designs require. The TLA Family with MagniVu acquisition provides 8 GHz (125 ps) timing resolution on every channel.

### MagniVu Acquisition Technology - A Breakthrough for Logic Analyzers

The TLA Family includes a wide selection of logic analyzers with unprecedented measurement capabilities. At the heart is a breakthrough acquisition technology called MagniVu. MagniVu is a super-high-speed sampling architecture that dramatically changes the way logic analyzers work and enables them to provide startling new measurement capabilities.

### Capturing and Correlating Elusive Faults

Complex system problems, especially intermittent ones, that show up late in product development can derail the most carefully planned schedules. TLA logic analyzers keep embedded hardware and software designers on track by providing a non-intrusive tool to monitor, capture and analyze these elusive real-time system problems. By capturing and correlating multiple views of data, including analog, digital and embedded software, the design team can quickly identify the source of a problem, wherever it is.

### World's Fastest Logic Analyzer Modules

These remarkable, high performance logic analyzer modules plug into your existing Windows 2000 Professional logic analyzer mainframe to deliver unmatched accuracy, speed, and ease-of-use for debug and verification work. You may also route the analog signal of any 4 logic analyzer channels to an oscilloscope. And all of the modules offer PowerFlex customer-installable memory and speed upgrades to satisfy future needs.

# Tektronix Logic Analyzers

► Detailed Product Information



## Find Digital Signal Integrity Problems

Faster edge speeds and tighter timing margins are creating more signal integrity issues than ever before. Overshoot, ringing, crosstalk, reflections and ground bounce can cause glitches and intermittently alter the timing of otherwise stable signals.

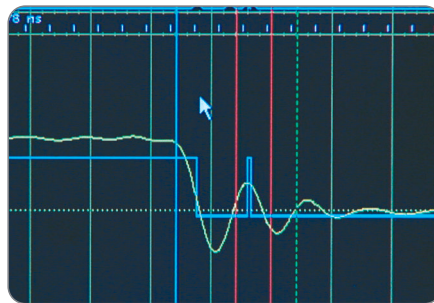
Connecting an external digitizing oscilloscope to your TLA system with Integrated View capability provides up to 6 GHz analog signal bandwidth, along with the hundreds of logic signals you are already monitoring. Since the external Tektronix digital oscilloscope data is automatically time-correlated, the iView capability lets you easily observe the quality of critical signals alongside the original behavior they affect.

## Probing Solutions

Whether you are building high-density test connectors into your verification platform, using a configured probe adapter for popular microprocessors or buses, or just hooking up signals as you need more visibility, Tektronix has the probing solution.

## Digital and Analog Through a Single Probe

Here is an innovation the world of test and measurement has needed: simultaneous analog and digital measurements through a single logic analyzer probe. No more having to get out your oscilloscope probe for analog information. Now, one probe does it all. You get quick signal access, with no double-probing, no double-loading, and no more trying to handle two probes at once. Nothing is easier, or yields cleaner signals.



► Digital/analog overlay.

## P6860/80 Connectorless Logic Analyzer Probes

Tektronix offers a family of new high-performance, low-capacitance, active logic analyzer probes which do away with add-on connectors and attach directly to printed circuit boards. These connectorless probes use Silicon Germanium (SiGe) technology to provide high-quality signal measurements.



## Stimulus for Functional Verification

System verification often requires you to stimulate your designs with ideal or faulty digital patterns. The TLA pattern generator controls your circuit at full speed or steps through individual states. With the combination of logic analyzer and pattern generator modules, you can control and monitor real-time system operation.

## The Integrated View

Today almost every design is a high-speed design, with fast clock edges and data rates on even the most common IC devices. So nearly every design requires signal integrity analysis. Engineers need to see the analog characteristics of high-speed digital signals in relation to complex digital events in the circuit. The solution: iView.

The iView (Integrated View) capability seamlessly integrates data from Tektronix TLA logic analyzers and TDS oscilloscopes allowing designers to transfer analog waveforms from the oscilloscope to the logic analyzer display and automatically time-correlate them. The result: engineers can quickly track down elusive signal integrity problems in their designs.

The new iView package includes TLA Application Software and an interconnect cable to integrate TLA600 or TLA700 Series logic analyzers with a wide range of external TDS Series oscilloscopes. iView capability couples selected Tektronix TDS family oscilloscopes with TLA Series logic analyzers, producing a solution that shows, on the same logic analyzer display, time-correlated views of both digital and analog waveforms.

Set up is easy through the use of an external oscilloscope "wizard" in the TLA Series logic analyzer user interface that guides the user through set up and connection. No user calibration or calibration fixture is required. And, once set up is completed, the iView capability is completely automated.

## Find and Analyze your Difficult Real-time Software Problems

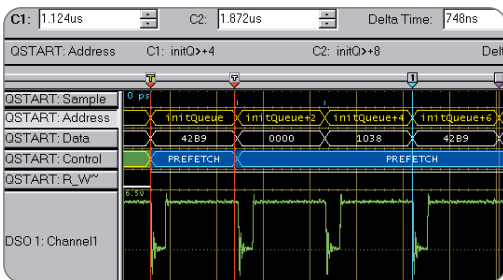
```

Line C:\queue.c
24
25 /*****
26 * Routine to initialize queue
27 *****/
28 void
29 initQueue()
30 {
31     front = 0;
32     rear = 0;
33 }
34
    
```

► Source code debugging.

Sample	Q-Start Address	Q-Start Data	Q-Start Mnemonic
136	stopLite+32	23FC	MOVE.L #00001001,stopLights+10 (S)
143	stopLite+3C	23FC	MOVE.L #00000401,stopLights+14 (S)
150	stopLite+46	4EB9	JSR initQueue (S)
158	initQueue	42B9	CLR.L front (S)
161	initQueue+6	42B9	CLR.L rear (S)
166	initQueue+C	4E75	RTS (S)
172	stopLite+4C	7E00	MOVEQ #00000000,D7 (S)
173	stopLite+4E	2007	MOVE.L D7,D0 (S)

► Real-time instruction trace.



► Real-time correlation to hardware.

### Source Code Debugging

Tektronix logic analyzers provide real-time debug visibility by nonintrusively capturing instruction execution and system signals. This maximizes source code debugging productivity by linking the source code to instruction trace history, correlated to system hardware signals.

### Real-time Instruction Trace

TLA software includes disassembly capability for analyzing every bus transaction and determining what instructions were read across the bus. The software then places the assembly mnemonic in the display with the associated address. This disassembly display enables you to view the data at different levels of abstraction.

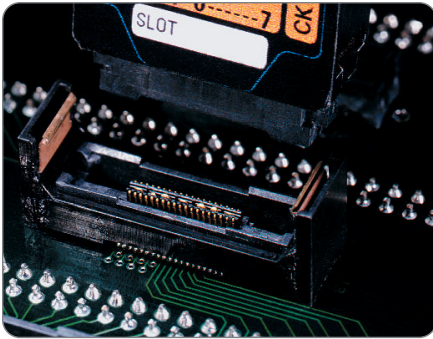
The state display provides a view of raw hex data. The hardware display shows every bus cycle type with instructions. The software display filters out the noninstruction cycles. The flow control shows only instructions that cause a change in the program flow, and the subroutine display shows only the entry and exit points to subroutines.

### Real-time Correlation to Hardware

With the TLA's time stamp always running, every acquisition and every bus cycle has a unique 125 ps time stamp. Because of this capability, the TLA700 Series provides precision time correlation across ALL the modules in the TLA700 system, even across expansion mainframes. This allows you to see how the event on one bus affects the operation of another bus in the system.

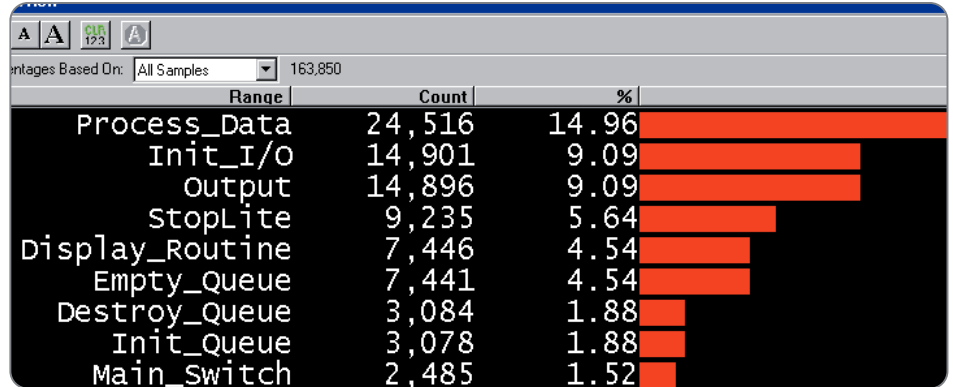
# Tektronix Logic Analyzers

► Detailed Product Information



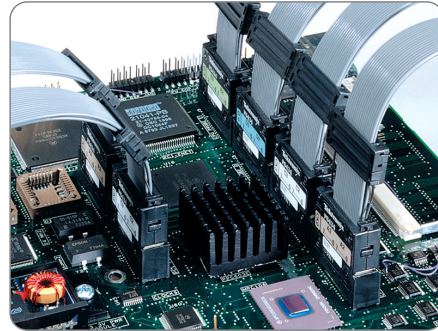
## Processor Support

TLA processor support provides an easy-to-use acquisition and analysis package. The software automatically sets up the TLA, including assigning channels and programming the clocking state machine for your particular processor. This enables the TLA to acquire every bus cycle quickly and seamlessly in real time. Many of the support packages provide a probe adapter using the Tektronix P6434 high-density probe, to connect to the processor or bus being analyzed. The probe provides quick connection to 34 channels, and eliminates possible human error.



## System Performance Analysis

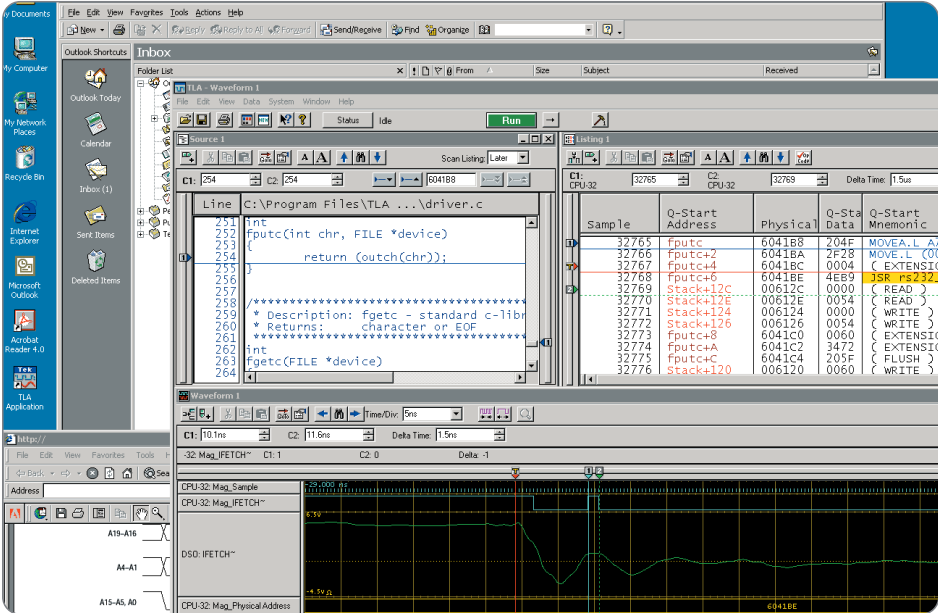
This feature lets you nonintrusively monitor, capture and analyze the system's real-time software and hardware performance. Using the performance analysis tool, you can quickly identify software and hardware areas to be optimized.



## Tektronix Embedded Systems Tool Partners

Over 25 industry-leading Embedded Systems Tools Partners deliver a wide range of development and debug solutions that work with Tektronix logic analyzers. Software development tools such as software debuggers and emulators running on the TLA logic analyzer provide you with the complete system control and insight critical to verifying, debugging and optimizing your system.

**Enhance Productivity through Familiarity, Connectivity and Modularity**



**Familiarity**

Work in a familiar, open and connected environment with the Microsoft Windows operating system, the platform upon which the entire TLA Family is based.

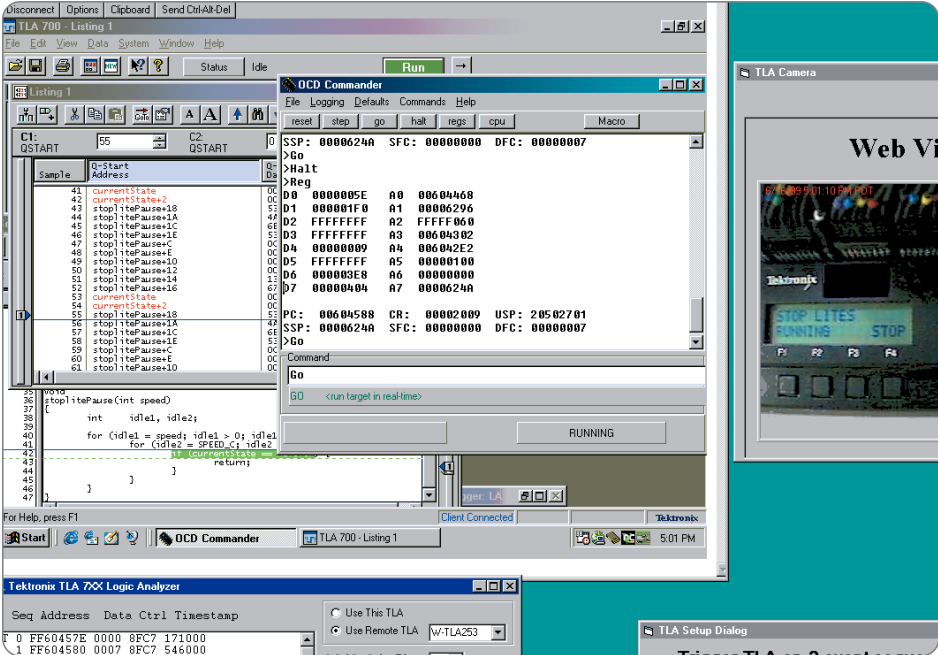
- TLA applications operate like any other PC application
- Familiar Microsoft Windows toolbar and desktop

**Remote Operation**

You can remotely operate the TLA user interface from another Windows or UNIX workstation, and customize the TLA user interface to fit your working style.

- Control your TLA remotely using a Web browser
- Develop your own custom tools that access TLA data using the TLA Programmatic Interface (TPI) based upon Microsoft COM/DCOM
- Remotely view your target system operation across the network using a Webcam from the comfort of your office

▶ Familiarity.



▶ Remote operation.

# Tektronix Logic Analyzers

## ► Detailed Product Information



### ► Connectivity.

#### Connectivity and Modularity

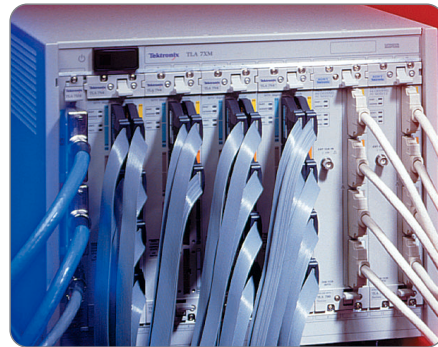
All models of the TLA family (except the TLA60x) come standard with dual display capability for extended desktop viewing. These models also feature an internal CD-R/W, hard disk and PC card slots for expansion (such as for a LAN connection). Other industry-standard PC connections include SVGA, printer, serial, USB, mouse and keyboard. Trigger in/out connections provide an interface to other external instrumentation for coordinating measurement results.

The replaceable hard disk is standard on the TLA700 Series, ideal for security or enabling individual team members to store personal setups and data.

The TLA700 Series is card-modular so you can configure the number and type of logic analyzer, pattern generator or digitizing oscilloscope modules to meet your requirements.



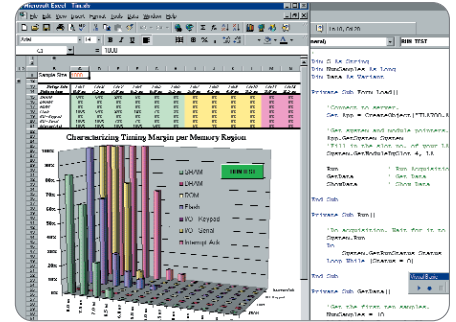
### ► Up to 8,160 logic analyzer channels acquire real-time data.



### ► Expandability.

#### Expandable to Meet Future Needs

A variety of flexible options, such as new products, field upgrade kits and special programs are available to enhance the measurement capabilities of your TLA.



### ► Advanced data analysis via Microsoft Excel.

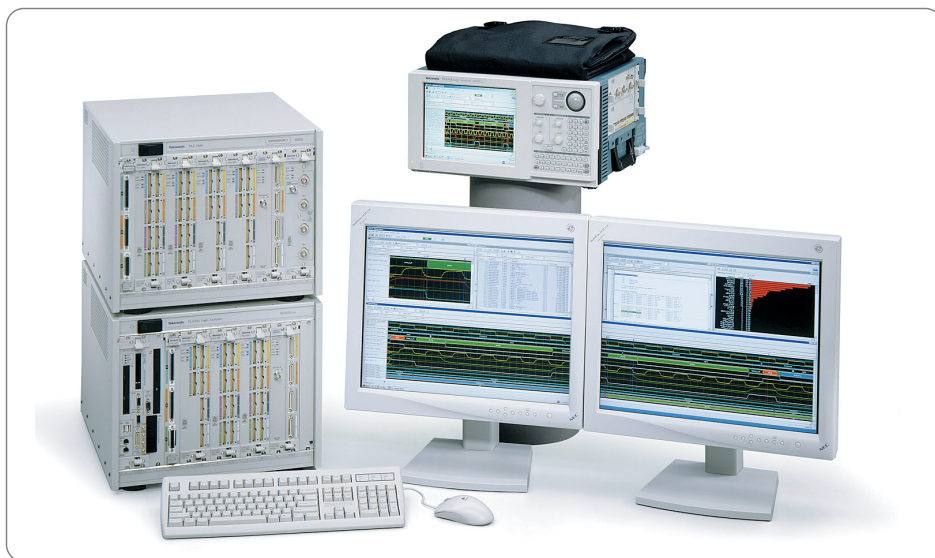
#### Advanced Data Analysis

The TLA Family's remote control command set, based on Microsoft COM/DCOM technology, interfaces seamlessly with advanced Windows applications – such as Microsoft Excel, shown at right – to provide powerful advanced data analysis and the graphical presentation of results either directly on the TLA, or remotely over a network.

#### Offline Data Analysis

The TLAVu™ Offline Data Viewer increases productivity. From their desks, designers can view data and create setups for the next time they are in the lab. TLAVu software is a version of the TLA software that installs on a PC running Windows 95, 98, NT4, ME, XP or 2000.

## Characteristics



### ► TLA700 Series Mainframes

#### General (TLA715, TLA721, TLA7XM)

##### Instrument Slots –

TLA715: Holds 4 single-wide or 2 double-wide modules.

TLA721: Holds 10 single-wide or 5 double-wide modules.

TLA7XM: Holds 12 single-wide or 6 double-wide modules.

**Quantity of TLA7XMs –** The TLA700 Series Mainframes can support multiple TLA7XM mainframes.

TLA715: Up to two TLA7XM mainframes can be used providing 13 dual/26 single instrument slots. \*1 \*2

TLA721: Up to ten TLA7XM mainframes can be used providing 60 dual/120 single instrument slots. \*1 \*2

Mainframe	LA *3	PG *3	DSO *3
Max channels per module	136 ch.	64 ch.	4 ch.
TLA715	1,768	832	52
TLA721	8,160	3,840	240

For configurations beyond ten TLA7XM expansion mainframes, please contact your local Tektronix account manager.

#### TLA700 PC Characteristics (TLA715 and TLA721)

**Operating System –** Microsoft Windows 2000 Professional.

**Processor –** Intel Pentium III.

**Chipset –** Intel 815E.

##### DRAM –

TLA715: 256 MB SDRAM (512 MB with Opt. 1S).

TLA721: 512 MB SDRAM.

**Display Memory –** 4 MB.

**Dual Monitor Support –** 1600x1200 Resolution.

**Sound –** Built-in PC speaker transducer; multimedia sound can be added via PC Card interface.

##### Replaceable Hard Disk Drive –

TLA715: 10 GB (30 GB with Opt. 1S).

TLA721: 30 GB.

**CD ROM –** Internal 8/4/32 CD-RW.

**Floppy Disk Drive –** Built-in 3.5 in. 1.44 MB drive.

#### TLA700 Integral Controls (TLA715 only)

##### Front-Panel Display –

Size: 10.4 in. diagonal.

Type: Active-matrix color TFT LCD with backlight.

Resolution: 800x600.

Colors: 16.8 M (true color).

**Simultaneous Display Capability –** Both the front-panel and one external display can be used simultaneously at 800x600 resolution.

**Front-panel Knobs –** Special function knobs for instrument control.

**Front-panel QWERTY Keypad –** Mini-QWERTY keypad and Hex keypad.

**Front-panel Pointing Device –** Trackball.

#### TLA700 External Peripheral Interfaces (TLA715 and TLA721)

##### External Display Port Type –

(2) Female DB15 connectors.

**External Display Resolution –** Up to 1600x1200 noninterlaced at 256 colors, for both primary and secondary displays.

##### External Display Compatibility –

DDC2B (dynamic display configuration 2).

**External Keyboard Port Type –** PS2 mini-DIN.

**External Mouse Port Type –** PS2 mini-DIN.

**Parallel Interface Port Type –** IEEE 1284-C connector (comes standard with adapter to female DB25 connector).

**Parallel Interface Modes –** Centronics mode, EPP (Extended Parallel Port), ECP (Microsoft high-speed mode).

**Serial Interface Port Type –** Male DB9.

**PC Card (CardBus) Slot Types –** Two slots, two PC Card Type I/II or one PC Card Type III.

**USB Port –** Two (2).



► Example of TLA721 with ten TLA7XM Mainframes.

\*1 TLA7XM Expansion Module occupies one single-wide slot in both the TLA715/TLA721 mainframes and the TLA7XM expansion mainframe.

\*2 Using a TLA7XM expansion mainframe with an existing TLA714/TLA720 mainframe requires Version 4.0 or higher TLA application software. TLA720 benchtop mainframes, S/N: B019999 and lower, require TLA7UP Option 09 TLA720 Benchtop Mainframe Upgrade. Please refer to the TLA Upgrade Guide for further details.

\*3 All logic analyzer (LA), pattern generator (PG) and digitizing oscilloscope (DSO) modules are dual-wide or occupy two single-wide slots.



# Tektronix Logic Analyzers

► Detailed Product Information

## Integrated View (iView) Capability

### TLA Mainframe Configuration Requirements –

TLA714/720/715/721 Series mainframes.

TLA App S/W V 4.1 or greater.

256 MB DRAM Minimum, 512 MB recommended.

### TDS Configuration Requirements – TDS3GM

GPIB/RS232 Interface Module required for iView

capability on any TDS3000 series. TDS3GV

GPIB/RS232/VGA Interface Module required for

iView capability on any TDS3000B series. If using

iView with TDS6604, order a TCA-BNC connector

to be compatible with a BNC cable run from a

TLA7Axx module analog output.

### Number of TDS Oscilloscopes that Can

be Connected to a TLA System – 1.

### External Oscilloscopes Supported –

TDS3012, TDS3014, TDS3032, TDS3034,

TDS3052, TDS3054.

TDS3012B, TDS3014B, TDS3032B, TDS3034B,

TDS3052B, TDS3054B.

TDS5052, TDS5054, TDS5104.

TDS6604.

TDS7054, TDS7104, TDS7154, TDS7404.

TDS684C, TDS694C.

CSA7154, CSA7404.

TDS754C, TDS784C, TDS724D, TDS754D,

TDS784D, TDS794D.

**TLA Connections –** USB, Trigger In, Trigger Out, Clock Out.

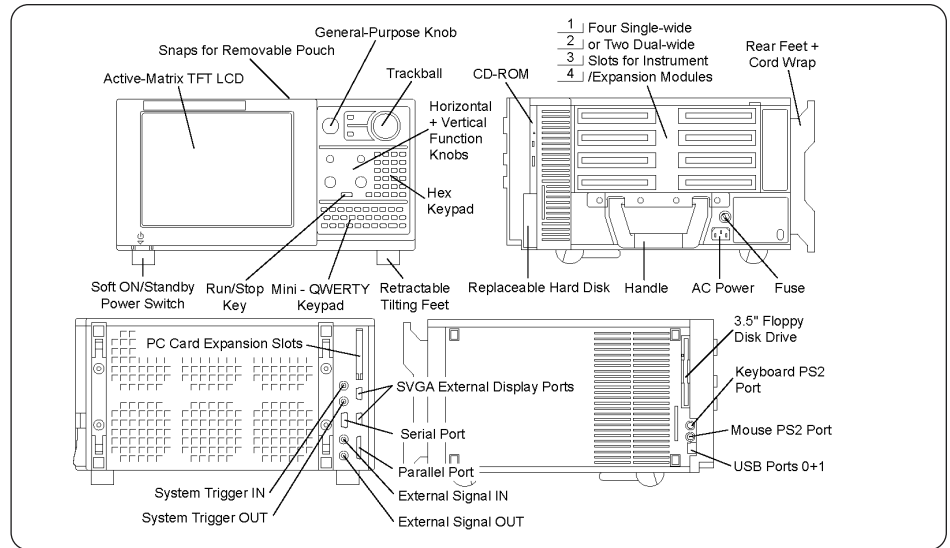
**TDS Connections –** GPIB, Trigger In, Trigger Out, Clock In (when available).

**Setup –** iView external oscilloscope wizard automates setup.

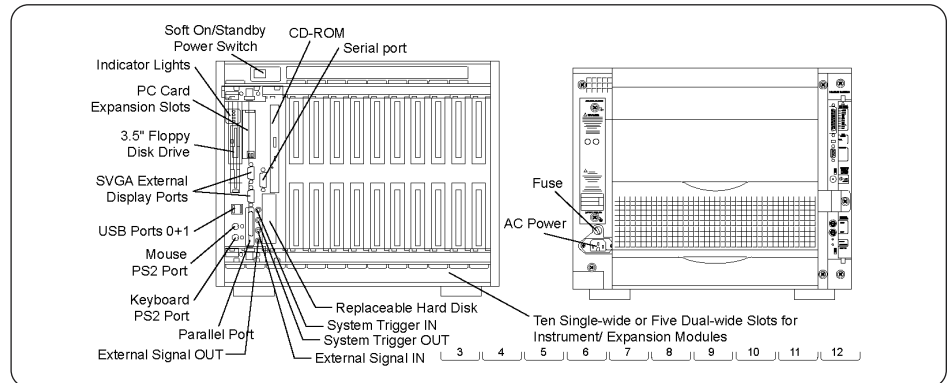
**Data Correlation –** After TDS oscilloscope acquisition is complete, the data is automatically transferred to the TLA and time correlated with the TLA acquisition data.

**Deskew –** TDS and TLA data is automatically deskewed and time correlated when using the iView external oscilloscope cable.

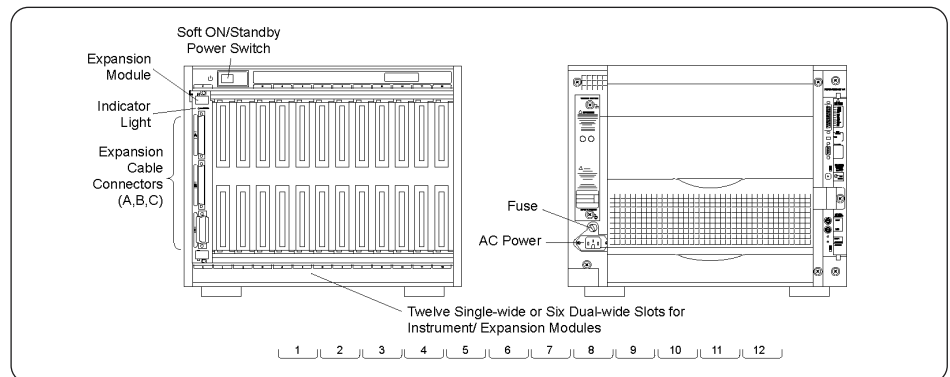
**iView External Oscilloscope Cable Length –** 2 m.



► **TLA715 Portable Mainframe.**



► **TLA721 Benchtop Mainframe.**



► **TLA7XM Expansion Mainframe.**



► TLA715 Series with TDS7000 Series oscilloscope.

## Symbolic Support

**Number of Symbols/Ranges** – Unlimited (limited only by amount of virtual memory available on TLA).

## Object File Formats Supported –

- IEEE695
- OMF 51, OMF 86, OMF 166, OMF 286, OMF 386
- COFF
- Elf/Dwarf 1 and 2
- Elf/Stabs
- TSF (if your software development tools do not generate output in one of the above formats, TSF or the Tektronix symbol file, a generic ASCII file format is supported. The generic ASCII file format is documented in the TLA User Manual). If a format is not listed, please contact your local Tektronix representative.

## External Instrumentation Interfaces

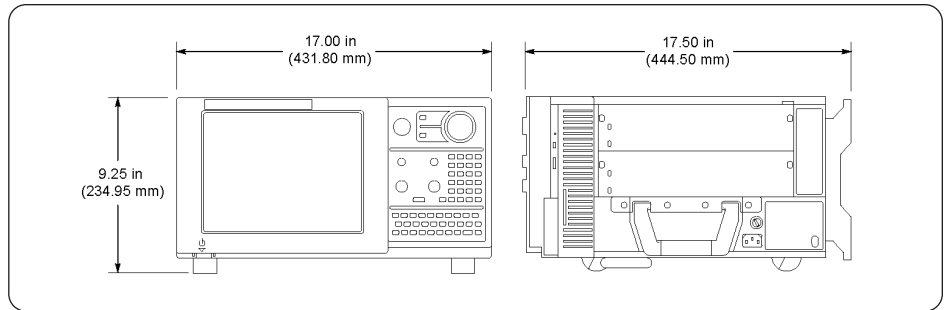
**System Trigger Output** – Asserted whenever a system trigger occurs (TTL-compatible output, back-terminated into 50 Ω).

**System Trigger Input** – Forces a system trigger (triggers all modules) when asserted (TTL-compatible, edge-sensitive, falling-edge latched).

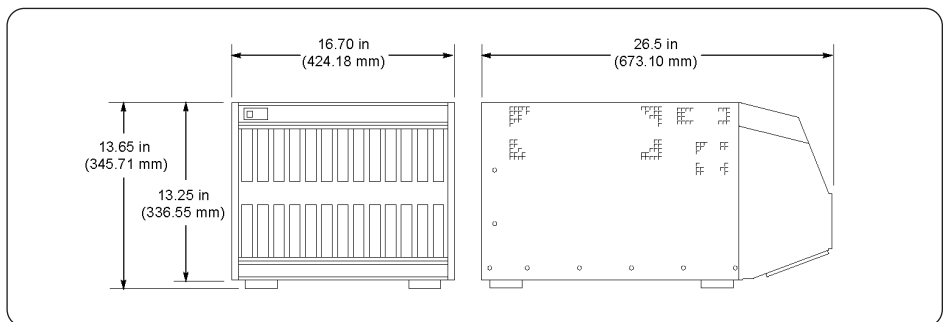
**External Signal Output** – Can be used to drive external circuitry from a module's trigger mechanism (TTL-compatible output, back-terminated into 50 Ω).

**External Signal Input** – Can be used to provide an external signal to arm or trigger any or all modules (TTL-compatible, level-sensitive).

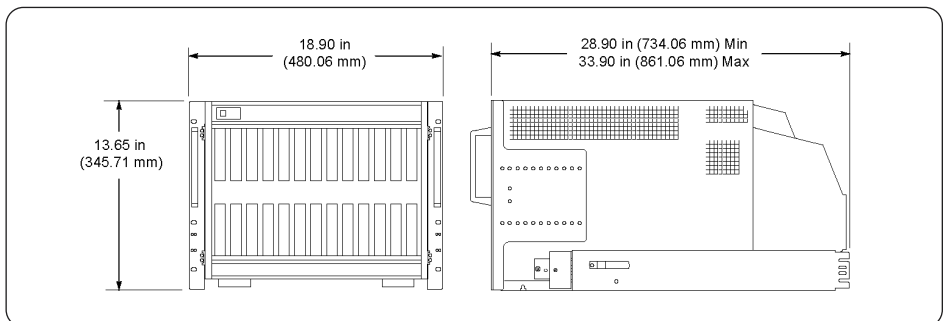
**P6041 External Signal Cable Length** – (SMB to BNC adapter cable, two each TLA721 only) 1.1 m (42 in.).



► TLA715 Portable Mainframe.



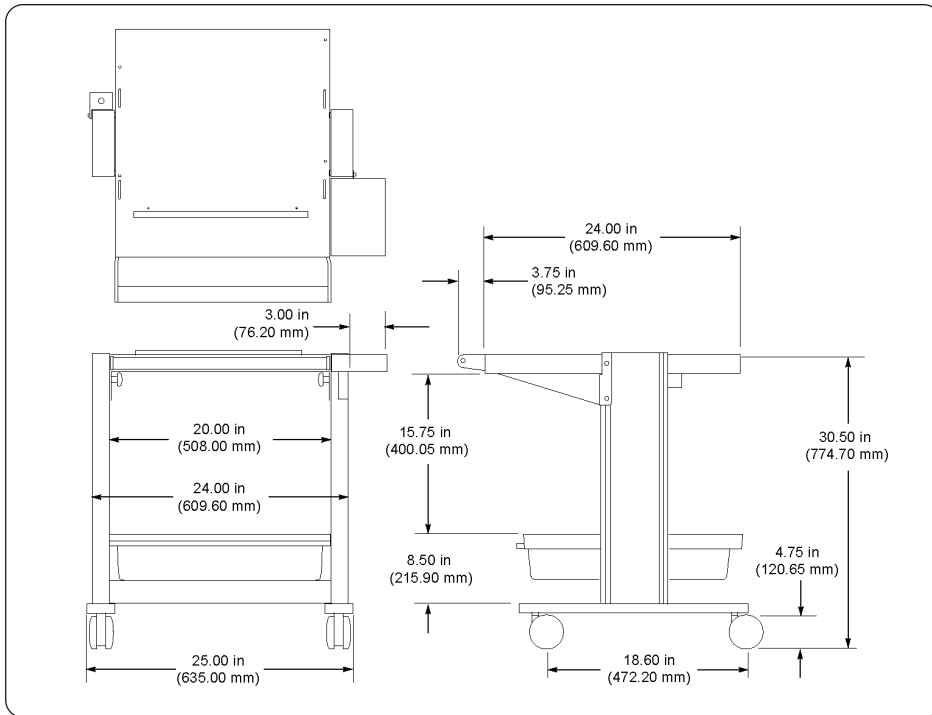
► TLA721 and TLA7XM Benchtop and Expansion Mainframes.



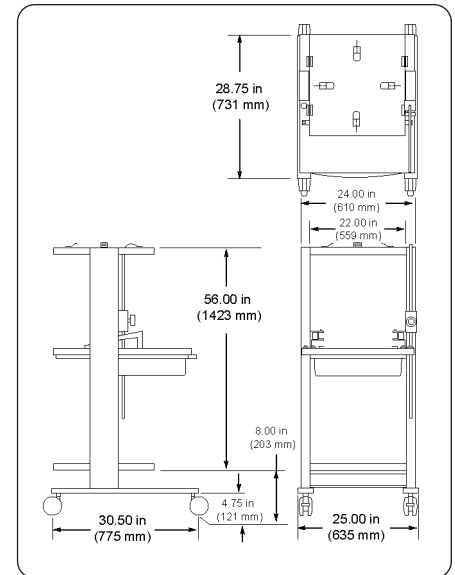
► TLA721 and TLA7XM Benchtop and Expansion Mainframes with TLA721/TLA7XM Rackmount Kit.

# Tektronix Logic Analyzers

► Detailed Product Information



► **LAGART Instrument Cart** (adjustable probe skyhook not shown).



► **K4000 Instrument Cart.**

## Power

### TLA715 –

Voltage range/frequency: 90-250 VAC at 45-66 Hz.

100-132 VAC at 360-440 Hz.

Input current: 6 A maximum at 90 VAC (70 A surge).

Power consumption: 600 W maximum.

### TLA721 and TLA7XM –

Voltage range/frequency: 90-250 VAC at 45-66 Hz,

100-132 VAC at 360-440 Hz.

Input current: 16.5 A maximum at 90 VAC (70 A surge).

Power consumption: 1,450 W maximum.

## Physical Characteristics

### TLA715 Portable

Dimensions	mm	in.
Height	235	9.25
Width	432	17
Depth	455	17.5
Weight	kg	lb.
Net (w/o modules)	11.4	25
Shipping (typical)	25.5	56

### TLA721 Benchtop & TLA7XM Expansion

Dimensions	mm	in.
Height	346	13.65
Width	425	16.7
Depth	673	26.5
Weight	kg	lb.
Net (w/o modules)	22.7	50
Shipping (typical)	51.8	114

## Environmental

### Temperature –

Operating: +5°C to +50°C.

Nonoperating: –20°C to +60°C.

### Humidity –

20% to 80%.

Operating: ≤30°C; 80% relative humidity

(29°C maximum wet bulb temperature).

Nonoperating: 8% to 80% (29°C maximum wet bulb temperature).

### Altitude –

Operating: –1,000 ft. to 10,000 ft. (–305 meters to 3,050 meters).

**Safety** – UL3111-1, CSA1010.1, EN61010-1, IEC61010-1. B



► **TLA7Axx Logic Analyzer Modules**

**General**

**Number of Channels (all channels are acquired including clocks) –**

TLA7AA1: 34 channels (2 are clock channels).  
 TLA7AA2, TLA7AB2: 68 channels (4 are clock channels).  
 TLA7AA3: 102 channels (4 are clock and 2 are qualifier channels).  
 TLA7AA4, TLA7AB4: 136 channels (4 are clock and 4 are qualifier channels).  
 Channel Grouping: No limit to number of groups or number of channels per group (all channels can be reused in multiple groups).

**TLA700 Module “Merging” –**

Five 102-channel or 136-channel modules can be “merged” to make up to a 680-channel module. Merged modules exhibit the same depth as the lesser of the five individual modules. Word/setup-and-hold/glitch/transition recognizers span all five modules. Range recognizers limited to three module merge. Only one set of clock connections is required.

**Time Stamp –** 51-Bits at 125 ps resolution (3.25 days duration).

**Clocking/Acquisition Modes –** Internal, internal 2X, internal 4X, external, external 2X, external 4X, source synchronous. 8 GHz MagniVu™ high-speed timing is available simultaneous with all modes.

**Number of Mainframe Slots Required per TLA700 Module –** 2.

► **State Acquisition**

Full Channel	Half Channel	Quarter Channel
120 MHz Standard	235 MHz/235 Mb/s or 120 MHz/240 Mb/s (DDR)	235 MHz/470 Mb/s
235 MHz Optional	450 MHz/450 Mb/s or 235 MHz/470 Mb/s (DDR)	450 MHz/900 Mb/s
450 MHz Optional	800 MHz/800 Mb/s or 450 MHz/900 Mb/s (DDR)	625 MHz/1.25 Gb/s

**Input Characteristics (with P6810, P6860 or P6880 probes)**

**Capacitive Loading –** 0.7 pF typical clock/data; (1.0 pF for P6810 in group configuration).

**Threshold Selection Range –**

From –2.0 V to +4.5 V in 10 mV increments. Threshold presets include TTL (1.5 V), CMOS (1.65 V), ECL (–1.3 V), Differential (0 V) and user-defined.

**Threshold Selection Channel Granularity –**

Separate selection for each of the clock/qualifier channels and one per group of 16 data channels for each 34 channel probe.

**Threshold Accuracy (including probe) –**

±(25 mV + 1%).

**Input Voltage Range –**

Operating: –2.5 V to 5.0 V.  
 Nondestructive: ±15 V.

**Minimum Input Signal Swing –** 300 mV or 25% of

signal swing, whichever is greater (single-ended);  $V_{max} - V_{min} > 150$  mV (differential).

**Input Signal Minimum Slew Rate –**

200 mV/ns typical.

**State Acquisition Characteristics (with P6810, P6860 or P6880 probes)**

**State Memory Depth with Timestamps –**

(quarter/half/full channels) 512/256/128 Kb, 2 M/1 M/512 Kb, 8/4/2 Mb, 32/16/8 Mb, 128/64/32 Mb, 256/128/64 Mb per channel.

**Setup and Hold Time Selection Range –** From 8 ns

before, to 8 ns after clock edge. Range may be shifted towards the setup region by 0 ns [+8, –8] ns, 4 ns [+12, –4] ns, or 8 ns [+16, 0] ns.

**Setup-and-hold Window –**

All Channels: 625 ps typical.  
 Single Channel: 500 ps typical.

**Minimum Clock Pulse Width –** 400 ps.

**Active Clock Edge Separation –** 400 ps.

**Demux Channel Selection –** Channels can be demultiplexed to other channels through user interface with 8 channel granularity.

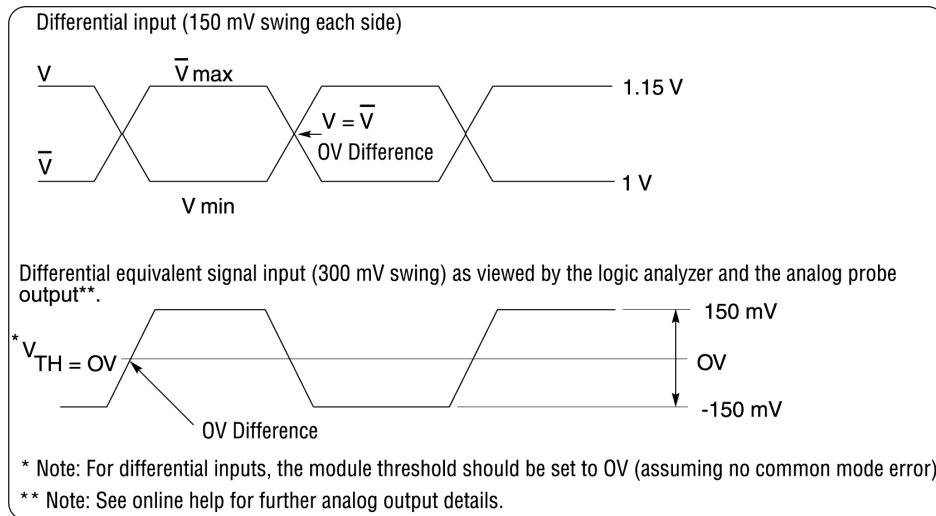
**Source Synchronous Clocking –** Up to four “Fast Latches” per module (20 max per 5-way merge) to strobe source-synchronous buses into TLA7Axx modules.

Four sets of any predefined “Fast Latches” may be combined with qualification data and data pipelining to store four independent source-synchronous data buses.

Two “Fast Latches” may be combined to address DDR applications.

# Tektronix Logic Analyzers

► Detailed Product Information



► Differential inputs.

## Timing Acquisition Characteristics (with P6810, P6860 and P6880 probes)

**MagniVu Timing** – 125 ps max, adjustments to 250 ps, 500 ps, 1 ns, and 2 ns.

**MagniVu Timing Memory Depth** – 16 Kb per channel, with adjustable trigger position.

**Deep Timing Resolution (quarter/half/full channels)** – 500 ps/1 ns/2 ns to 50 ms.

**Deep Timing Resolution with Glitch Storage Enabled** – 4 ns to 50 ms.

**Deep Timing Memory Depth (quarter/half/full channels with timestamps and with or without transitional storage)** – 512/256/128 Kb, 2 Mb/1 Mb/512 Kb, 8/4/2 Mb, 32/16/8 Mb, 128/64/32 Mb, 256/128/64 Mb per channel.

**Deep Timing Memory Depth with Glitch Storage Enabled** – Half of default main memory depth.

**Channel-to-channel Skew** – 250 ps typical.

**Minimum Recognizable Pulse/Glitch Width (single channel)** – 500 ps (P6810, P6860, P6880) 1 ns.

**Minimum Detectable Setup/Hold Violation** – 250 ps.

**Minimum Recognizable Multi-channel Trigger Event** – Sample period + 400 ps.

## Analog Acquisition Characteristics (with P6810, P6860 and P6880 probes)

**Bandwidth** – 2 GHz typical.

**Attenuation** – 10x, ±1%.

**DC Offset** – ±1 mV.

**Channels Demultiplexed** – 4.

**Run/Stop Requirements** – None, analog outputs are always active.

**iView Analog Outputs** – Compatible with any internal TLA7Dx/Ex DSO module or supported TDS external oscilloscope.

**iView Analog Output BNC Cable** – Low loss, 10x, 36-in.

## Trigger Characteristics

**Independent Trigger States** – 16.

**Maximum Independent If/then Clauses per State** – 16.

**Maximum Number of Events per If/then Clause** – 8.

**Maximum Number of Actions per If/then Clause** – 8.

**Maximum Number of Trigger Events** – 18 (2 counter/timers plus any 16 other resources).

**Number of Word Recognizers** – 16.

**Number of Transition Recognizers** – 16.

**Number of Range Recognizers** – 4.

**Number of Counter/Timers** – 2.

**Trigger Event Types** – Word, group, channel, transition, range, anything, counter value, timer value, signal, glitch, setup-and-hold violation, snapshot.

**Trigger Action Types** – Trigger module, trigger all modules, trigger main, trigger MagniVu, store, don't store, start store, stop store, increment counter, decrement counter, reset counter, start timer, stop timer, reset timer, snapshot current sample, goto state, set/clear signal, do nothing.

**Maximum Triggerable Data Rate** – 1250 Mb/s.

**Trigger Sequence Rate** – DC to 500 MHz (2 ns).

**Counter/Timer Range** – 51 Bits each (>50 days at 2 ns).

**Counter Rate** – DC to 500 MHz (2 ns).

**Timer Clock Rate** – 500 MHz (2 ns).

**Counter/Timer Latency** – 2 ns.

**Range Recognizers** – Double bounded (can be as wide as any group, must be grouped according to specified order of significance).

**Setup-and-hold Violation Recognizer Setup Time Range** – From 8 ns before to 7 ns after clock edge in 125 ps increments. This range may be shifted towards the positive region by 0 ns, 4 ns, or 8 ns.

**Setup-and-hold Violation Recognizer Hold Time Range** – From 7 ns before to 8 ns after clock edge in 125 ps increments. This range may be shifted towards the positive region by 0 ns [+8, -8] ns, 4 ns [+12, -4] ns, or 8 ns [+16, 0] ns.

**Trigger Position** – Any data sample.

**MagniVu Trigger Position** – MagniVu position can be set from 0% to 60% centered around the MagniVu trigger.

**Storage Control (data qualification)** – Global (conditional), by state (start/stop), block, by trigger action, or transitional. Also force main prefill selection available.

## Physical Characteristics

Dimensions	mm	in.
Height	262	10.3
Width	61	2.4
Depth	381	15
Weight	kg	lb.
Net	3.1	6.7
Shipping	6.3	13.7

**P6810 Probe Cable Length** – 1.8 m (6 ft.).

**P6860 Probe Cable Length** – 1.8 m (6 ft.).

**P6880 Probe Cable Length** – 1.8 m (6 ft.).

All three probes have the same electrical length and are delay matched.



## ► TLA7Nx/Px/Qx Logic Analyzer Modules

### General

**Number of Channels (all channels are acquired including clocks) –**

TLA7N1: 34 channels (2 are clock channels).  
TLA7N2, TLA7P2: 68 channels (4 are clock channels).  
TLA7N3: 102 channels (4 are clock and 2 are qualifier channels).

TLA7N4, TLA7P4: 136 channels (4 are clock and 4 are qualifier channels).

Channel Grouping: No limit to number of groups or number of channels per group (all channels can be reused in multiple groups).

**TLA700 Module “Merging”** – Three 102-channel or 136-channel modules can be “merged” to make up to a 408-channel module. Merged modules exhibit the same depth as the lesser of the three individual modules. Word/range/setup-and-hold/glitch/transition recognizers span all three modules. Only one set of clock connections is required.

**Time Stamp** – 50-Bit at 500 ps resolution (6.5 day range).

**Clocking/Acquisition Modes** – Internal, internal 2X, external. 2 GHz MagniVu high-speed timing is available simultaneous with all modes.

**Number of Mainframe Slots Required per TLA700 Module** – 2.

### Input Characteristics (with P6417, P6418 or P6434 probes)

**Capacitive Loading** – 1.4 pF typical data; 2 pF typical clock (P6418).  
2 pF typical data and clock (P6417 & P6434).

**Threshold Selection Range** – From +5.0 V to –2.0 V in 50 mV increments.

**Threshold Selection Channel Granularity** – Separate selection for clock (1) and data (16) for each 17-channel probe connector.

**Threshold Accuracy (including probe)** – ±100 mV.

**Input Voltage Range** – Operating: 6.5 V<sub>p-p</sub> centered around the programmed threshold.  
Nondestructive: ±15 V.

**Minimum Input Signal Swing** – 250 mV or 25% of signal swing, whichever is greater (P6417 & P6418).  
300 mV or 25% of signal swing (P6434).

**Input Signal Minimum Slew Rate** – 200 mV/ns typical.

### State Acquisition Characteristics (with P6417, P6418 or P6434 probes)

**State Clock Rate** – 100 MHz standard, 200 MHz optional.

**State Data Rate (half/full channels)** – 400/200 Mb/s, typical. Requires 200 MHz state option.

**State Memory Depth with Timestamps** – 64 Kb, 256 Kb, 1 Mb, 4 Mb, 16 Mb or 64 Mb per channel.

**Setup-and-hold Time Selection Range** – From 8.5 ns before, to 7.0 ns after clock edge.

**Setup-and-hold Window** – 2.0 ns typical.

**Minimum Clock Pulse Width** – 2 ns.

**Active Clock Edge Separation** – 5 ns.

**Demux Channel Selection** – Channels can be demultiplexed to other channels through user interface with 8-channel granularity.

### Timing Acquisition Characteristics (with P6417, P6418 or P6434 probes)

**MagniVu Timing** – 500 ps.

**MagniVu Timing Memory Depth** – 2 Kb (2048) per channel.

**Deep Timing Resolution (half/full channels)** – 2/4 ns to 50 ms.

**Deep Timing Resolution with Glitch Storage Enabled** – 10 ns to 50 ms.

**Deep Timing Memory Depth (half/full channels with timestamps and with or without transitional storage)** – 128/64 Kb, 512/256 Kb, 2/1 Mb, 8/4 Mb, 32/16 Mb, 128/64 Mb per channel.

**Deep Timing Memory Depth with Glitch Storage Enabled** – Half of default main memory depth.

**Channel-to-channel Skew** – <1 ns typical.

**Minimum Recognizable Pulse Width (single channel)** – 2 ns.

**Minimum Recognizable Glitch Width (single channel)** – 2 ns.

**Minimum Recognizable Multi-channel Trigger Event** – Sample period +2 ns.

**Trigger Characteristics Independent Trigger States** – 16.

**Maximum Independent If/then Clauses per State** – 16.

**Maximum Number of Events per If/then Clause** – 8.

**Maximum Number of Actions per If/then Clause** – 8.

**Maximum Number of Trigger Events** – 18 (2 counter/timers plus any 16 other resources).

**Number of Word Recognizers** – 16.

**Number of Range Recognizers** – 4.

**Number of Transition Recognizers** – 1.

**Number of Counter/Timers** – 2.

# Tektronix Logic Analyzers

## ► Detailed Product Information

**Trigger Event Types** – Word, group, channel, transition, range, anything, counter value, timer value, signal, glitch, setup-and-hold violation.

**Trigger Action Types** – Trigger module, trigger all, store, don't store, start store, stop store, increment counter, reset counter, start timer, stop timer, reset timer, goto state, set/clear signal, do nothing.

**Trigger Sequence Rate** – DC to 250 MHz (4 ns).

**Counter/Timer Range** – 51 Bits each (>100 days at 4 ns).

**Counter Rate** – DC to 250 MHz (4 ns).

**Timer Clock Rate** – 250 MHz (4 ns).

**Counter/Timer Latency** – None (can be tested or reset immediately after starting).

**Range Recognizers** – Double bounded (can be as wide as any group, must be grouped according to specified order of significance).

### Setup-and-hold Violation Recognizer Setup

**Time Range** – From 8 ns before to 7 ns after clock edge in 0.5 ns increments.

### Setup-and-hold Violation Recognizer Hold

**Time Range** – From 7 ns before to 8 ns after clock edge in 0.5 ns increments.

**Trigger Position** – Any data sample.

**MagniVu Trigger Position** – MagniVu data is centered around the module trigger.

**Storage Control (data qualification)** – Global (conditional), by state (start/stop), by trigger action, or transitional.

**Storage Window Granularity** – Single sample or block-of-31 samples before and after.

## Physical Characteristics

Dimensions	mm	in.
Height	262	10.3
Width	61	2.4
Depth	381	15
Weight	kg	lb.
Net (w/o probes)	3.1	6.7
Shipping (typical)	6.3	13.7

**P6417 Probe Cable Length** – 1.8 m (6 ft.).

**P6418 Probe Cable Length** – 1.9 m (6.25 ft.).

**P6434 Probe Cable Length** – 1.5 m (5 ft.).

All three probes have the same electrical length.



## ► TLA7Dx/Ex Digital Storage Oscilloscope Modules

### General

#### Number of Channels per Module –

TLA7D2, TLA7E2: 4 channels.

TLA7D1, TLA7E1: 2 channels.

#### Sample Rate –

TLA7E1, TLA7E2: 5 GS/s on all channels.

TLA7D1, TLA7D2: 2.5 GS/s on all channels.

#### Bandwidth (at probe tips) –

TLA7E1, TLA7E2:

100 mV to 10 V range: 1 GHz.

50 mV to 99.8 mV range: 900 MHz.

20 mV to 49.8 mV range: 600 MHz.

All others:

500 MHz.

TLA7D1, TLA7D2: 500 MHz on all channels in all ranges.

**Memory Depth** – 15,000 samples per channel in all modes.

**Number of Mainframe Slots Required** – 2.

### Vertical System

**Input Sensitivity Range** – 10 mV to 100 V full scale.

**Vertical Resolution** – 8-Bit (256 levels).

**DC Gain Accuracy** –  $\pm 1.5\%$  of full scale range.

**Analog Bandwidth Selections** – 20 MHz, 250 MHz and Full.

**Input Coupling** – AC, DC or GND.

**Input Impedance Selections** – 1 M $\Omega$  in parallel with 10 pF, or 50  $\Omega$ .

#### AC Coupled Lower Frequency Limit –

$\leq 10$  Hz when AC 1 M $\Omega$  coupled,  $\leq 200$  kHz when AC 50  $\Omega$  coupled.

#### Maximum Input Voltage at Probe Connector –

300 V<sub>RMS</sub>, but no greater than  $\pm 420$  V<sub>p</sub> (1 M $\Omega$  or ground input coupling).

### Probe Input Characteristics

**Probe Input Interface** – TEKPROBE™ probe interface.

**Input Loading** – Less than 1 pF in parallel with 1 M $\Omega$  with either P6243 or P6245.

#### Usable Input Voltage Range at Probe Tip –

P6243 Probe:  $\pm 8$  V. P6245 Probe:  $\pm 18$  V.

**Trigger Actions** – Trigger, trigger all, set signal, arm, immediate, wait for system trigger.

**Edge Trigger** – Conventional level driven trigger, positive or negative slope, on any channel or external trigger input. Coupling Selections: DC, AC, noise reject, HF reject, LF reject.

**Pulse Width Trigger** – Triggers on width of positive or negative pulse, either within or not within selectable time limits; settable from 2 ns to 1 s.

**Timeout Trigger** – Triggers when a pulse fails to complete when specified; settable from 2 ns to 1 s.

**Glitch Trigger** – Triggers on (or rejects) glitches of positive, negative, or either polarity; settable from 2 ns to 1 s. Minimum glitch width: 2.0 ns, with 200 ps resolution (2 ns to 10 ns settings).

**Runt Pulse Trigger** – Triggers on a pulse that crosses one threshold but fails to cross a second threshold before crossing the first again; settable from 2 ns to 1 s.

**Slew Rate Trigger** – Triggers on pulse edge rates that are either faster or slower than a set rate, edges can be rising, falling, or either; settable from 2 ns to 1 s.

**Logic Pattern Trigger** – Triggers when a logical combination (AND, OR) of all the input channels (Hi, Lo, Don't Care) stays true or false for a specified period of time; settable from 2 ns to 1 s.

**Acquisition System**

**Sample Rate Range** – 200 ps to 200 ms in 1, 2.5, 5 sequence.

**Timebase Accuracy** – ±100 ppm over any interval ≥1 ms.

**Record Length Range** – 512 to 15,000 samples per channel in all modes.

**Acquisition Modes** – Single-shot, repetitive.

**Trigger System**

**Trigger Modes** – Normal, auto.

**Trigger Position** – Anywhere in the acquired record (pre-fill can be set anywhere from 0% to 100%).

**Trigger Types** – Edge, pulse width, timeout, glitch, runt, slew rate, logic pattern, setup-and-hold violation.

**Setup-and-hold Trigger** – Triggers on violations of both setup time and hold time between clock and data which are on separate input channels; setup time settable from -100 ns to +100 ns in 200 ps increments; hold time settable from -1 ns to +102 ns; minimum settable window of setup time + hold time is 2 ns.

**Physical Characteristics**

Dimensions	mm	in.
Height	262	10.3
Width	61	2.4
Depth	381	15
Weight	kg	lb.
Net	2.7	5.8
Shipping	5.8	12.8

**P6243 Probe Cable Length** – 1.3 m (51 in.).

**P6245 Probe Cable Length** – 1.3 m (51 in.).



# Tektronix Logic Analyzers

## ► Detailed Product Information



### ► TLA7PG2 Pattern Generator Module

#### General

##### Data Width –

64-channel full channel mode.  
32-channel half channel mode.

**Module “Merging”** – Five modules can be “merged” to make up to a 320-channel module. Merged modules exhibit the same depth as the lesser of the 5 individual modules.

**Number of Mainframe Slots Required** – 2.

##### Data Rate –

Internal Clock:

0.5 Hz to 134 MHz full channel mode.  
1.0 Hz to 268 MHz half channel mode.

External Clock:

DC to 134 MHz full channel mode.  
DC to 268 MHz half channel mode.

##### External Clock Input –

Polarity: positive or negative.  
Threshold: –2.56 V to +2.54 V, nominal;  
programmable in 20 mV increments.  
Sensitivity: <500 mV<sub>p-p</sub>.  
Impedance: 1 k $\Omega$  terminated to ground.

##### Data Depth –

256 k full channel/512 k half channel.  
1 M full channel/2 M half channel (optional).

#### Pattern Sequencing Characteristics

**Blocks** – Separate sections of pattern program that are output in a user-definable order by the Sequencer. Block pattern depth can be from 40 sequences (full channel mode) or 80 sequences (half channel mode) up to the entire depth of the TLA7PG2. A maximum of 4,000 Blocks may be defined.

**Sequencer** – A 4,000-line memory that allows the user to pick the output order of individual Blocks. Each line in the sequencer allows the definition of a Block to be output, a Repeat Count for that Block, A Wait For event condition for the Block, the Signal state for that Block (asserted or unasserted), and a Jump If event Condition, with a sequence line to jump to if the condition is satisfied.

**Sub-sequences** – Up to 50 contiguous lines of the Sequencer memory may be defined as a Sub-sequence. A Sub-sequence can then be treated like a block. (Example: 15 Sequences of Blocks are defined as Sub-sequence A1. Now any line in the Sequencer can output A1. Five calls to Sub-sequence A1 will be flattened out to 75 sequences at run time.)

**Jump If** – Jumps to the specified sequence if a user-defined event is true. The user-defined event is a boolean combination of the eight external event input lines and the one-of-four intermodule signals. The user-defined event is selectable between level and edge (event going from false to true). One Jump If may be defined for every Block. The Jump If command works at all clock rates, including the maximum half channel mode rate of 268 MHz.

**Wait For** – Pattern output is paused until the user defined Event is true. One Wait For may be defined for every Block.

**Assert Signal** – One of the four inter-module signals is selected to be controlled from the pattern generator program. Signals may be asserted and unasserted allowing true interaction with the logic analyzer modules and with other pattern generator modules. Signal action (assert or unassert) may be defined for every Block.

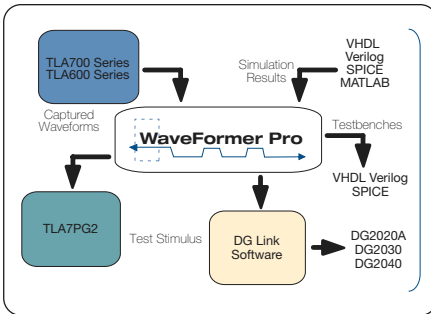
**Repeat Count** – The sequence is repeated from 1 to 65,536 times. Infinite may also be selected. One Repeat Count may be defined for every block. Note that a repeat value of 10,000 takes one sequence line in memory, not 10,000.

**Step** – While in Step mode, the TLA7PG2, the user can manually satisfy (i.e., click an icon) Wait For and Jump conditional events. This allows the user to debug the logic flow of the program’s sequencing.

**Initialization Block** – The unconditional Jump command allows the user to implement an equivalent function.

#### Logic Analyzer/Pattern Generator Connectivity to Simulation Environments

The TLA600 and TLA700 Series logic analyzers capture waveform data in a form that can be read by SynaptiCAD™ WaveFormer Pro™, VeriLogger Pro, and TestBench Pro software tools. SynaptiCAD’s tools can convert the logic analyzer waveform data into stimulus vectors for VHDL, Verilog, SPICE, ABEL, and pattern generators including the TLA7PG2.



► **Easily Create TLA7PG2 Stimulus Files.**  
 The TLA7PG2 Pattern Generator stimulus can be created from a mixture of VHDL and Verilog test benches, simulation waveforms, real world data acquired by a logic analyzer, and waveforms created within SynaptiCAD's timing diagram editing environment.

SynaptiCAD's WaveFormer Pro product offers a timing diagram editing environment that enables stimulus to be created using a combination of graphically drawn signals, timing parameters that constrain edges, clock signals, and temporal and Boolean equations for describing complex, quasi-repetitive signal behavior. Advanced operations on signals such as time scaling and shifting, and block copy and pasting of signal behavior over an interval of time are also supported.

**Physical Characteristics**

Dimensions	mm	in.
Height	262	10.3
Width	61	2.4
Depth	381	15
<b>Weight</b>	<b>kg</b>	<b>lb.</b>
Net	3	6.5
Shipping	6.2	13.5

**Common to P6470 TTL/CMOS, P6471 ECL, P6473 LVDS, P6474 LVCMOS Probes**

- Number of Data Outputs –**  
 16 in full channel mode.  
 8 in half channel mode.
- Number of Clock Outputs – 1.** (Only one of Clock Output and Strobe Output can be enabled.)
- Number of Strobe Outputs – 1.** (Only one of Clock Output and Strobe Output can be enabled.)
- Clock Output Polarity –** Positive.
- Strobe Type –** RZ only.
- Strobe Delay –** Zero or Trailing Edge.

**P6470 TTL/CMOS Probe**

**Output Type –**  
 HD74LVC541A for Data Output.  
 HD74LVC244A for Clock/Strobe Output.

**Output Voltage (nominal, load: 1 MΩ) –**  
 $V_{OH}$ : 2.0 V to 5.5 V, tri-stateable, programmable in 25 mV increments.  
 $V_{OL}$ : 0 V.

**Data Output Skew –**  
 <510 ps typical between all data output pins of all modules in the mainframe after inter-module skew is adjusted manually.  
 <480 ps typical between all data output pins of single probe.

**Data Output to Strobe Output Delay –**  
 1.7 ns typical when strobe delay set to zero.

**Data Output to Clock Output Delay –** 2.4 ns typical.

**External Clock Input to Clock Output Delay –**  
 Full channel mode: 61.5 ns typical.  
 Half channel mode: 61.5 ns typical.

**Number of External Event Inputs – 1.**

**Number of External Inhibit Inputs – 1.**

**External Inhibit Input to Output Enable Delay –**  
 34 ns typical for Data Output.

**External Inhibit Input to Output Disable Delay –**  
 86 ns typical for Data Output.

**Probe D Data Output to Output Enable Delay –**  
 (for Internal Inhibit) 7 ns typical for Data Output.

**Probe D Data Output to Output Disable Delay –**  
 (for Internal Inhibit) 8 ns typical for Data Output.

**External Event Input to Clock Output Setup (for inhibit) (event-filter: off) –**  
 Full channel mode: 1.5 clocks + 150 ns typical.  
 Half channel mode: 2 clocks + 150 ns typical.

**External Event Input and Inhibit Input –**  
 Input Type: 74LVC14A.  
 Minimum Pulse Width: 100 ns.

**P6470 TTL/CMOS Probe**

**Rise/Fall Time (20% to 80%)**  
 Timing values measured using 75 Ω termination (internal to probe), 1 MΩ + <1 pF load and  $V_{OH}$  set to 5.0 V.

**Clock/Strobe Output:**

Rise:	640 ps typical
Fall:	1.1 ns typical

**Data Output:**

Rise:	680 ps typical
Fall:	2.9 ns typical

Timing values measured using 75 Ω termination (internal to probe), 510 Ω + 51 pF load and  $V_{OH}$  set to 5.0 V.

**Clock/Strobe Output:**

Rise:	6.5 ns typical
Fall:	6.3 ns typical

**Data Output:**

Rise:	5.2 ns typical
Fall:	4.5 ns typical

**P6471 ECL Probe**

**Output Type –**  
 100E151 for data output.  
 100EL16 for strobe output.  
 100EL04 for clock output.  
 All outputs are unterminated.

**Data Output Skew –** <170 ps typical between all data output pins of all modules in the mainframe after inter-module skew is adjusted manually.  
 <140 ps typical between all data output pins of single probe.

# Tektronix Logic Analyzers

## ► Detailed Product Information

**Data Output to Strobe Output Delay** – 2.94 ns typical when strobe delay set to zero.

**Data Output to Clock Output Delay** – 780 ps typical.

**External Clock Input to Clock Output Delay** – 51 ns typical.

**Number of External Event Inputs** – 2.

**External Event Input** –

Input Level: ECL.

Input Type: 10H116.

Minimum Pulse Width: 50 ns.

### **P6471 ECL Probe Rise/Fall Time (20% to 80%)**

Timing values measured using 51 Ω to –2.0 V.

**Clock Output:**

Rise:	320 ps typical
-------	----------------

Fall:	330 ps typical
-------	----------------

**Data Output:**

Rise:	1200 ps typical
-------	-----------------

Fall:	710 ps typical
-------	----------------

**Strobe Output:**

Rise:	290 ps typical
-------	----------------

Fall:	270 ps typical
-------	----------------

### **P6472 PECL/LVPECL Probe**

**Number of Data Outputs** – 8 in full channel mode or half channel mode.

**Number of Clock Outputs** – 1 (only one of clock output and strobe output can be enabled).

**Number of Strobe Outputs** – 1 (only one of clock output and strobe output can be enabled).

**Number of External Event Inputs** – 2.

**Number of External Inhibit Inputs** – 0.

**Clock Output Polarity** – Positive.

**Strobe Type** – RZ only.

**Strobe Delay** – Zero or Trailing Edge.

**Output Type** –

100EP90 for data output.

100EP90 for clock/strobe output.

**Rise/Fall Time (20% to 80%)** –

Rise:	330 ps typical
-------	----------------

Fall:	970 ps typical
-------	----------------

**Output Voltage Level** – PECL, LVPECL.

**Data Output Skew** –

<385 ps between all data output pins of all modules in the mainframe after inter-module skew is adjusted manually.

<370 ps between all data output pins of all probes of a single module.

<340 ps between all data output pins of a single probe.

**Data Output to Strobe Output Delay** –

+2.93 ns when strobe delay set to zero.

**Data Output to Clock Output Delay** – +1.12 ns.

**External Clock Input to Clock Output Delay** –

50 ns.

**Event Input Voltage Level** – PECL, LVPECL.

**Input Type** – 100EL91, unterminated.

**Minimum Pulse Width** – 150 ns.

### **P6473 LVDS Probe**

**Number of External Event Inputs** – 1.

**Number of External Inhibit Inputs** – 1.

**Output Type** –

LVDS (TIA/EIA-644 compatible) for data output.

LVDS (TIA/EIA-644 compatible) for clock/strobe output.

**Rise/Fall Time (20% to 80%)** –

Rise:	910 ps typical
-------	----------------

Fall:	750 ps typical
-------	----------------

**Data Output Skew** –

<365 ps between all data output pins of all modules in the mainframe after inter-module skew is adjusted manually.

<350 ps between all data output pins of all probes of a single module.

<320 ps between all data output pins of a single probe.

**Data Output to Strobe Output Delay** –

–280 ps when strobe delay set to zero.

**Data Output to Clock Output Delay** – 1.2 ns.

**External Clock Input to Clock Output Delay** –

55 ns.

**External Inhibit to Output Enable Delay** –

9 ns for data output.

**External Inhibit Input to Output Disable Delay** –

12 ns for data output.

**Probe D Data Output to Output Enable Delay** –

2 ns for data output.

**Probe D Data Output to Output Disable Delay** –

5 ns for data output.

**External Event Input to Clock Output Setup** –

Full channel mode: 1.5 Clocks + 180 ns.

Half channel mode: 2 Clocks + 180 ns.

**External Event Input and Inhibit Input** –

Input Type: LVDS, positive true.

Minimum Pulse Width: 150 ns.

**P6474 LVCMOS Probe**

**Number of External Event Inputs** – 2.

**Number of External Inhibit Inputs** – 1.

**Output Type** – 74AVC16244 for data, clock, strobe outputs.

**Series Terminator Resistor** – 75 Ω standard. 43, 100, and 150 Ω optional.

**Rise/Fall Time (20% to 80%)** –

Load: 1 MΩ + <1 pF

Rise:	1.2 ns
-------	--------

Fall:	610 ps typical
-------	----------------

Load: 512 Ω + 50 pF

Rise:	3.4 ns
-------	--------

Fall:	3.2 ns
-------	--------

**Output Voltage Level** – 1.2 V to 3.3 V, 25 mV step, into 1 MΩ.

**Data Output Skew** –

<590 ps between all data output pins of all modules in the mainframe after inter-module skew is adjusted manually.

<500 ps between all data output pins of all probes of a single module.

<460 ps between all data output pins of a single probe.

**Data Output to Strobe Output Delay** –

460 ps when strobe delay set to zero.

**Data Output to Clock Output Delay** – 1.84 ns.

**External Clock Input to Clock Output Delay** – 55 ns.

**External Inhibit to Output Enable Delay** –

36 ns for data output.

**External Inhibit Input to Output Disable Delay** –

18 ns for data output.

**Probe D Data Output to Output Enable Delay** –

6 ns for data output.

**Probe D Data Output to Output Disable Delay** –

7 ns for data output.

**External Event Input to Clock Output Setup** –

Full channel mode: 1.5 clocks + 180 ns.

Half channel mode: 2 clocks + 180 ns.

**External Event Input and Inhibit Input** –

74AVC16244, Positive True, 1 kΩ to ground.

The Vcc of the input receiver is variable and is the same as the output driver.

Minimum Pulse Width: 150 ns.

**P6470 Probe Cable Length** – 1.6 m (5 ft.).

**P6471 Probe Cable Length** – 1.6 m (5 ft.).

**P6472 Probe Cable Length** – 1.6 m (5 ft.).

**P6473 Probe Cable Length** – 1.6 m (5 ft.).

**P6474 Probe Cable Length** – 1.6 m (5 ft.).

**P6475 Variable Probe**

**Rise/Fall Time (20% to 80%)** –

Load: 1 MΩ + <1 pF

Rise:	550 ps
-------	--------

Fall:	640 ps
-------	--------

Load: 512 Ω + 50 pF

Rise:	430 ps
-------	--------

Fall:	510 ps
-------	--------

**Output Voltage Level** –

V<sub>OL</sub>: –3 V to 6.5 V, 10 mV step, into 1 MΩ.

V<sub>OH</sub>: –2.5 V to +7 V, 10 mV step, into 1 MΩ.

**Output Voltage Swing** – 250 mV<sub>p-p</sub> to 9 V<sub>p-p</sub>.

**Output Voltage Control** –

Ch. 0 to Ch. 5: Common.

Ch. 6 to Ch. 7, clock: Independent.

**Accuracy** – ±3% of value ±0.1 V.

**Delay Channels** – Ch. 6 and Ch. 7 (Independent).

**Delay Time** – 0 ns to 50 ns with reference to Ch. 0.

**Ch. 6 Output Modes** –

Normal.

Ch. 6 OR Ch. 7.

Ch. 6 AND Ch. 7.

Ch. 6 OR (NOT Ch. 7).

Ch. 6 AND (NOT Ch. 7).

**Delay Accuracy** – ±(3% of Delay Time) ±0.8 ns (to Ch. 0).

(At maximum slew rate setting).

**Slew Rate Control** – 0.5 V/ns to 2.5 V/ns,

100 mV/ns step.

**Data Output Skew** –

<295 ps between all data output pins of all modules in the mainframe after inter-module skew is adjusted manually.

<280 ps between all data output pins of all probes of a single module.

<250 ps between all data output pins of a single probe.

**Data Output to Clock Output Delay** – 940 ps.

**External Clock Input to Clock Output Delay** – 62 ns.

**Number of External Event Inputs** – 2.

**Number of External Inhibit Inputs** – 1.

**External Inhibit to Output Enable Delay** –

30 ns for data output.

**External Inhibit Input to Output Disable Delay** –

28 ns for data output.

**Probe D Data Output to Output Enable Delay** –

–100 ps for data output.

**Probe D Data Output to Output Disable Delay** –

–4.4 ns for data output.

**External Event Input to Clock Output Setup** –

Full channel mode: 1.5 Clocks + 180 ns.

Half channel mode: 2 Clocks + 180 ns.

**External Event Input and Inhibit Input** –

Polarity: Positive True.

Impedance: 1 kΩ to ground.

Threshold level: –2.5 V to +2.5 V, Event and Inhibit are independent.

Threshold resolution: 20 mV.

Minimum pulse width: 150 ns.

**P6475 Probe Cable Length** – 1.6 m (5 ft.).

# Tektronix Logic Analyzers

► Detailed Product Information



## ► TLA600 Series

### General

**Number of Channels (all channels are acquired including clocks) –**

TLA601/611/621, TLA7N1: 34 channels (2 are clock channels).

TLA602/612/622, TLA7N2, TLA7P2: 68 channels (4 are clock channels).

TLA603/613/623, TLA7N3: 102 channels (4 are clock and 2 are qualifier channels).

TLA604/614/624, TLA7N4, TLA7P4: 136 channels (4 are clock and 4 are qualifier channels).

Channel Grouping: No limit to number of groups or number of channels per group (all channels can be reused in multiple groups).

**Time Stamp –** 50-Bit at 500 ps resolution (6.5 day range).

**Clocking/Acquisition Modes –** Internal, internal 2X, external. 2 GHz MagniVu high-speed timing is available simultaneous with all modes.

### Input Characteristics (with P6417, P6418 or P6434 probes)

**Capacitive Loading –** 1.4 pF typical data; 2 pF typical clock (P6418).

2 pF typical data and clock (P6417 & P6434).

**Threshold Selection Range –** From +5.0 V to -2.0 V in 50 mV increments.

**Threshold Selection Channel Granularity –** Separate selection for clock (1) and data (16) for each 17-channel probe connector.

**Threshold Accuracy (including probe) –**  $\pm 100$  mV.

**Input Voltage Range –** Operating:  $6.5 V_{p-p}$  centered around the programmed threshold.

Nondestructive:  $\pm 15$  V.

**Minimum Input Signal Swing –** 250 mV or 25% of signal swing, whichever is greater (P6417 & P6418). 300 mV or 25% of signal swing (P6434).

**Input Signal Minimum Slew Rate –** 200 mV/ns typical.

### State Acquisition Characteristics (with P6417, P6418 or P6434 probes)

**State Clock Rate –** 100 MHz standard, 200 MHz optional.

**State Data Rate (half/full channels) –** 400/200 Mb/s, typical. Requires 200 MHz state option.

**State Memory Depth with Timestamps –** 64 Kb, 256 Kb, 1 Mb.

**Setup Time Selection Range –** From 8.5 ns before, to 7.0 ns after clock edge.

**Setup-and-hold Window –** 2.0 ns typical.

**Minimum Clock Pulse Width –** 2 ns.

**Active Clock Edge Separation –** 5 ns.

**Demux Channel Selection –** Channels can be demultiplexed to other channels through the user interface with 8-channel granularity.

### Timing Acquisition Characteristics (with P6417, P6418 or P6434 probes)

**MagniVu Timing –** 500 ps (2 GHz).

**MagniVu Timing Memory Depth –** 2 Kb per channel.

**Deep Timing Resolution (half/full channels) –** 2 ns, 4 ns to 50 ms.

**Deep Timing Resolution with Glitch Storage Enabled –** 10 ns to 50 ms.

**Deep Timing Memory Depth (half/full channels with timestamps and with or without transitional storage) –** 128/64 Kb, 512/256 Kb, 2/1 Mb.

**Deep Timing Memory Depth with Glitch Storage Enabled –** Half of default main memory depth.

**Channel-to-channel Skew –**  $\leq 1$  ns typical.

**Minimum Recognizable Pulse/Glitch Width (single channel) –** 2 ns.

**Minimum Recognizable Multi-channel Trigger Event –** Sample period +2 ns.

### Trigger Characteristics

**Independent Trigger States –** 16.

**Maximum Independent If/then Clauses per State –** 16.

**Maximum Number of Events per If/then Clause –** 8.

**Maximum Number of Actions per If/then Clause –** 8.

**Maximum Number of Trigger Events –** 18 (2 counter/timers plus any 16 other resources).

**Number of Word Recognizers –** 16.

**Number of Range Recognizers –** 4.

**Number of Transition Recognizers –** 1.

**Number of Counter/Timers –** 2.

**Trigger Event Types –** Word, group, channel, transition, range, anything, counter value, timer value, signal, glitch, setup-and-hold violation.

**Trigger Action Types –** Trigger module, trigger all, store, don't store, start store, stop store, increment counter, reset counter, start timer, stop timer, reset timer, goto state, set/clear signal, do nothing.

**Trigger Sequence Rate –** DC to 250 MHz (4 ns).

**Counter/Timer Range –** 51 Bits each (>100 days at 4 ns).

**Counter Rate –** DC to 250 MHz (4 ns).

**Timer Clock Rate –** 250 MHz (4 ns).

**Counter/Timer Latency –** None (can be tested or reset immediately after starting).

**Range Recognizers –** Double bounded (can be as wide as any group, must be grouped according to specified order of significance).

**Setup-and-hold Violation Recognizer Setup Time Range** – From 8 ns before to 7 ns after clock edge in 0.5 ns increments.

**Setup-and-hold Violation Recognizer Hold Time Range** – From 7 ns before to 8 ns after clock edge in 0.5 ns increments.

**Trigger Position** – Any data sample.

**MagniVu Trigger Position** – MagniVu data is centered around the module trigger.

**Storage Control (data qualification)** – Global (conditional), by state (start/stop), by trigger action, or transitional.

**Storage Window Granularity** – Single sample or block-of-31 samples before and after.

## Integrated View (iView) Capability

**TLA Mainframe Configuration Requirements** – TLA6XX instruments.

TLA App S/W V 4.1 or greater.

256 MB DRAM Minimum, 512 MB recommended.

**TDS Configuration Requirements** – TDS3GM GPIB/RS232 Interface Module required for iView capability on any TDS3000 Series. TDS3GV GPIB/RS232/VGA Interface Module required for iView capability on any TDS3000B Series. If using iView with a TDS6604, order a TCA-BNC connector to be compatible with BNC cable run from a TLA7Axx module.

**Number of TDS Oscilloscopes that Can be Connected to a TLA system** – 1.

**External Oscilloscopes Supported** –

TDS3012, TDS3014, TDS3032, TDS3034, TDS3052, TDS3054.

TDS3012B, TDS3014B, TDS3032B, TDS3034B, TDS3052B, TDS3054B, TDS5052, TDS5054, TDS5104.

TDS6604.

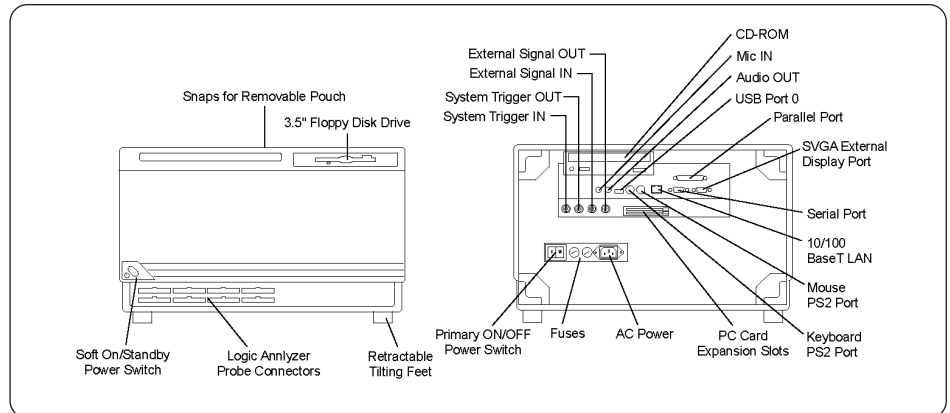
TDS7054, TDS7104, TDS7154, TDS7404.

TDS684C, TDS694C.

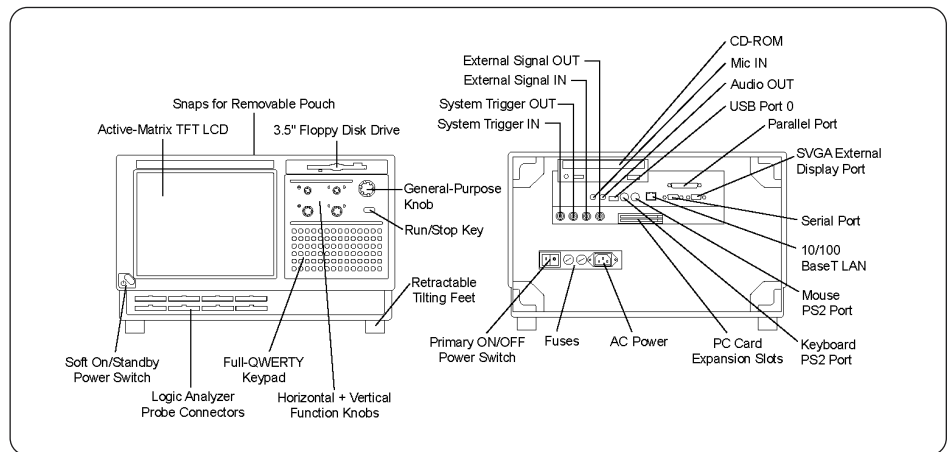
CSA7154, CSA7404.

TDS754C, TDS784C, TDS724D, TDS754D,

TDS784D, TDS794D.



► TLA60x Logic Analyzer with external display.



► TLA61x/62x Logic Analyzer with internal display.

**TLA Connections** – USB, Trigger In, Trigger Out, Clock Out.

**TDS Connections** – GPIB, Trigger In, Trigger Out, Clock In (when available).

**Setup** – iView external oscilloscope wizard automates setup.

**Data Correlation** – After TDS oscilloscope acquisition is complete, data is automatically transferred to the TLA and time correlated with the TLA acquisition data.

**Deskew** – TDS and TLA data is automatically deskewed and time correlated when using the iView external oscilloscope cable.

**iView External Oscilloscope Cable Length** – 2 m.

## TLA600 PC Characteristics

**Operating System** – Microsoft Windows 2000 Professional.

**Processor** – Intel Celeron.

**Chipset** – Intel 810.

**DRAM** – 256 MB SDRAM (512 MB with Opt. 1J).

**Sound** – Built-in PC speaker transducer; 16-Bit I/O and Mic In port.

**Hard Disk Drive** – 10 GB (30 GB with Opt. 1J).

**CD-ROM** – Internal 16/8/32 CD-RW.

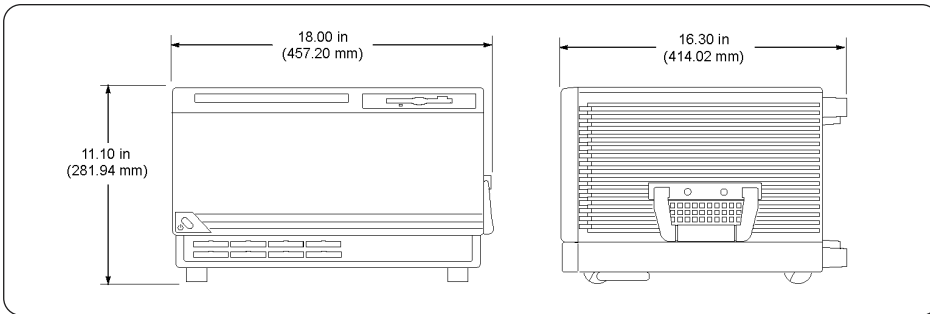
**Floppy Disk Drive** – Built-in 3.5 in. 1.44 MB drive.



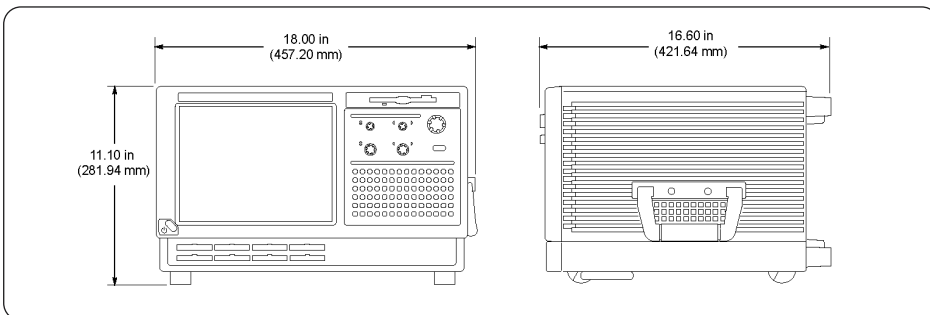
► TLA600 Series with TDS3000 Series Oscilloscope.

# Tektronix Logic Analyzers

## ► Detailed Product Information



► *TLA60x Logic Analyzer with external display.*



► *TLA61x/62x Logic Analyzer with internal display.*

### **TLA600 Integral Controls (TLA61x/62x only)**

#### **Front-Panel Display –**

Size: 10.4 in. diagonal.

Type: Active-matrix color TFT LCD with backlight.

Resolution: 800x600.

Colors: 16.8 M (true color).

**Simultaneous Display Capability –** The front-panel and external displays can be used simultaneously, each with independent resolutions.

**Front-panel Knobs –** Special function knobs for instrument control.

**Front-panel QWERTY Keypad –** Mini-QWERTY keypad.

### **TLA600 External Peripheral Interfaces**

**External Display Port Type –** Female DB15 SVGA connector.

**External Display Resolution –** Up to 1280x1024 noninterlaced at 16 M colors.

**LAN Port Type –** 10/100Base-T, RJ-45.

**External Keyboard Port Type –** PS2 mini-DIN.

**External Mouse Port Type –** PS2 mini-DIN.

**Parallel Interface Port Type –** Female DB25.

**Parallel Interface Modes –** Centronics mode, EPP (Extended Parallel Port), ECP (Microsoft high-speed mode).

**Serial Interface Port Type –** Male DB9.

**Audio Out Port Type –** Stereo minijack.

**Mic In Port Type –** Minijack.

**PC Card (CardBus) Slot Types –** Two slots, two PC card type I/II or one PC card type III.

**USB Port –** One (1).

### **Symbolic Support**

**Number of Symbols/Ranges –** Unlimited (limited only by amount of virtual memory available on TLA).

### **Object File Formats Supported –**

- IEEE695
- OMF 51, OMF 86, OMF 166, OMF 286, OMF 386
- COFF
- Elf/Dwarf 1 and 2
- Elf/Stabs
- TSF (if your software development tools do not generate output in one of the above formats, TSF or the Tektronix symbol file, a generic ASCII file format is supported. The generic ASCII file format is documented in the TLA User Manual). If a format is not listed, please contact your local Tektronix representative.

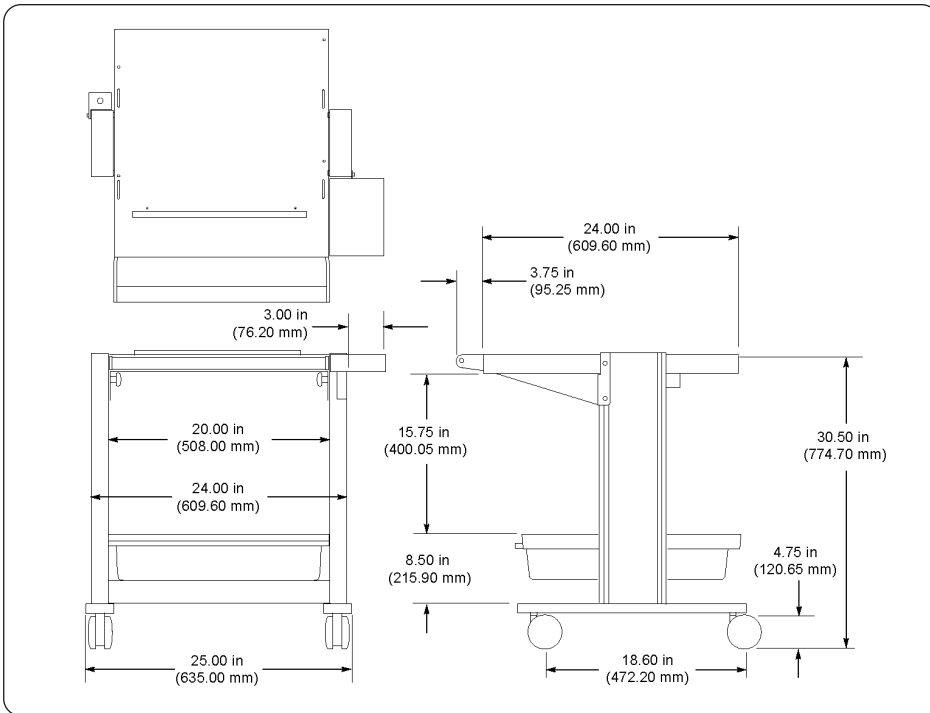
### **External Instrumentation Interfaces**

**System Trigger Output –** Asserted whenever a system trigger occurs (TTL-compatible output, back-terminated into 50  $\Omega$ ).

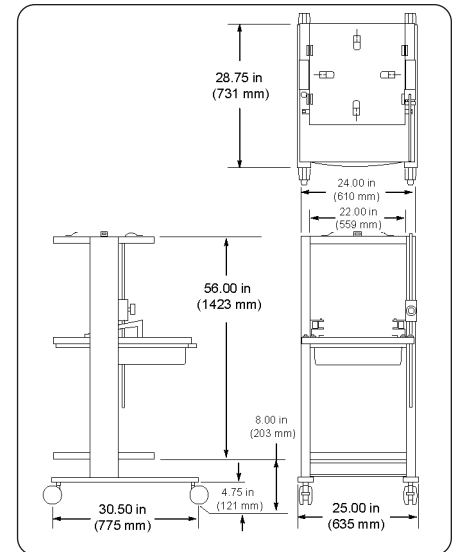
**System Trigger Input –** Forces a system trigger (triggers all modules) when asserted (TTL-compatible, edge-sensitive, falling-edge latched).

**External Signal Output –** Can be used to drive external circuitry from a module's trigger mechanism (TTL-compatible output, back-terminated into 50  $\Omega$ ).

**External Signal Input –** Can be used to provide an external signal to arm or trigger any or all modules (TTL-compatible, level-sensitive).



► **LAGART Instrument Cart** (adjustable probe skyhook not shown).



► **K4000 Instrument Cart**.

## Power

### TLA60x/61x/62x –

Voltage range/frequency: 90-250 VAC at 45-66 Hz.

100-132 VAC at 360-440 Hz.

Input current: 6 A maximum at 90 VAC (70 A surge).

Power consumption: 400 W maximum.

## Physical Characteristics

### TLA60x

Dimensions	mm	in.
Height	281.94	11.1
Width	457.2	18
Depth	414.02	16.3
<b>Weight</b>	<b>kg</b>	<b>lb.</b>
Net (w/o probes)	16.8	37
Shipping (typical)	38.6	85

### TLA61x/62x

Dimensions	mm	in.
Height	281.94	11.1
Width	457.2	18
Depth	414.02	16.3
<b>Weight</b>	<b>kg</b>	<b>lb.</b>
Net (w/o probes)	17.3	38
Shipping (typical)	39.1	86

## Environmental

### Temperature –

Operating: +5°C to +50°C.

Nonoperating: –20°C to +60°C.

### Humidity –

20% to 80%.

Operating: ≤30°C; 80% relative humidity (29°C maximum wet bulb temperature).

Nonoperating: 8% to 80% (29°C maximum wet bulb temperature).

### Altitude –

Operating: –1,000 ft. to 10,000 ft. (–305 meters to 3,050 meters).

**Safety** – UL3111-1, CSA1010.1, EN61010-1, IEC61010-1.



# Tektronix Logic Analyzers

► Detailed Product Information

## Ordering Information

### ► TLA700 Series Mainframes

#### TLA715

##### Dual Monitor Portable Mainframe.

**Includes:** Wheel mouse, keyboard, LAN PC Card, front-panel cover, accessory pouch, two dual-wide panel fillers for empty slots, printer adapter, power cord (North American 120 VAC, 60 Hz), software, user manual, certificate of calibration and one-year warranty (return to Tektronix).

#### TLA721

##### Dual Monitor Benchtop Mainframe.

**Includes:** Wheel mouse, keyboard, LAN PC Card, five dual-wide panel fillers for empty slots, printer adapter, two P6041 SMB to BNC adapter cables; power cord (North American 120 VAC, 60 Hz), software, user manual, certificate of calibration and one-year warranty (return to Tektronix). Display is not included – order Opt. 3M or Opt. 4M or use any SVGA monitor.

#### TLA7XM

##### Expansion Mainframe.

**Includes:** Two expansion modules, three expansion cables, six dual-wide panel fillers for empty slots, one single-wide panel filler for empty slot, manual, power cord (North American 120 VAC, 60 Hz), statement of compliance and one-year warranty (return to Tektronix).

If installing a TLA7XM expansion mainframe into a TLA700 Series mainframe, please consult the TLA Family Upgrade Guide for upgrade information.

#### TLA715/721 Options

**Opt. 1C** – Add iView external oscilloscope interface kit (012-1614-00).

**Opt. 1K** – Add LACART logic analyzer cart.

**Opt. 1S** – 512 MB DRAM / 30 GB replaceable hard disk (TLA715 only).

**Opt. 3M** – Add 18 in. 1280x1024 flat-panel display (119-6568-00).

**Opt. 4M** – Add 21 in. 1600x1200 flat-panel display (119-6569-00).

#### TLA715/TLA721/TLA7XM International Power Plugs

**Opt. A1** – Universal Euro 220 VAC; 50 Hz.

**Opt. A2** – UK 240 VAC; 50 Hz.

**Opt. A3** – Australian 240 VAC; 50 Hz.

**Opt. A4** – North American 240 VAC; 60 Hz.

**Opt. A5** – Switzerland 220 VAC; 50 Hz.

**Opt. A99** – No power cord.

#### TLA715/TLA721/TLA7XM Factory Configuration

**Opt. 88** – Install modules in mainframe at factory (excludes merging of logic analyzer modules).

#### TLA704/714/715

#### TLA711/720/721

#### TLA7XM Optional Accessories

**Logic Analyzer Cart** – LACART, K4000.

**TLA711 Rackmount Kit** – Order 020-2197-00.

**TLA720/TLA721/TLA7XM Rackmount Kit** – Order 020-2369-00.

**TLA704/714/715 Wheeled Transport Case** – Order 016-1522-00.

**TLA711/720/721/TLA7XM Wheeled Transport Case** – Order 016-1651-00.

**18 in. 1280x1024 Flat-panel Display with U.S. Standard, 120 V; 60 Hz Power Plug** – Order 119-6568-00.

**21 in. 1600x1200 Flat-panel Display with U.S. Standard, 120 V; 60 Hz Power Plug** – Order 119-6569-00.

**Power Cord, IEC320 C5 Universal Euro, Straight** – Order 161-0311-00.

**Power Cord, IEC320 C5 UK, Straight** – Order 161-0312-00.

**Power Cord, IEC320 C5 Australian, Straight** – Order 161-0313-00.

**Power Cord, IEC320 C5 Switzerland, Straight** – Order 161-0314-00.

**Wheeled Transport Case for 18 in. 1280x1024 Flat-panel Display** – Order 016-1895-00.

**Wheeled Transport Case for 21 in. 1600x1200 Flat-panel Display** – Order 016-1896-00.

**83 Key Notebook Keyboard, PS2-Compatible** – Order 118-9402-00.

**TLA7QS** – TLA Family training package. (TLA700 configuration required: 102-channel logic analyzer module (required) plus 2-channel digitizing oscilloscope module (optional) plus 64-channel pattern generator module (optional)).

**Opt. A1** – Universal Euro.

**Opt. A2** – United Kingdom.

**Opt. A6** – Japan.

**TLA7QS Technical Reference Support Kit** – Order 020-2211-02.

#### TLA700 Series Manuals

**TLA Family User Manual** – Order 071-0863-02 (for Version 4.2 TLA application software).

**TLA7QS Quickstart™ Training Manual** – Order 070-9717-05.

#### TLA700 Series Service Manuals and Test Fixtures

**TLA715 Service Manual (includes performance verification and adjustment procedures)** – Order 071-0913-01.

**TLA721/7XM Service Manual (includes performance verification and adjustment procedures)** – Order 071-0912-01.

**TLA Logic Analyzer Performance Verification and Adjustment Fixture for TLA6xx and TLA7Lx/Mx/Nx/Px/Qx (includes AC adapter; requires local power cord)** – Order 671-3599-00.

**TLA Logic Analyzer Performance Verification and Adjustment Fixture for TLA7Axx (refer to TLA7Axx Logic Analyzer Module Service Manual for the list of required equipment, including P6860 and P6880 probes)** – Order TLACAL2.

**TLA7Nx/7Px/7Qx Logic Analyzer Modules Service Manual (includes performance verification and adjustment procedures)** – Order 071-0864-01.

**TLA7Axx Logic Analyzer Modules Service Manual (includes performance verification and adjustment procedures)** – Order 071-1043-00.

**TLA7PG2 Pattern Generator Module Service Manual (includes performance verification and adjustment procedures)** – Order 071-0714-01.

**TLA7Dx/7Ex DSO Modules Service Manual (includes performance verification and adjustment procedures)** – Order 070-9780-03.

#### TLA700 Series Mainframe Upgrades

You can upgrade the operating system, TLA application software, increase DRAM and hard disk, capabilities to your existing TLA714/715/720/721 mainframe.

Please refer to TLA Family Upgrade Guide for further details.

► **TLA7Axx Logic Analyzer Modules**

**Includes:** Probe retainer bracket, probe manual, user manual, certificate of calibration, one-year warranty (return to Tektronix).

Probes must be ordered separately – Order Opt. 2P (P6810) or Opt. 3P (P6860) or Opt. 4P (P6880). You can also choose to order any combination and quantity of probes by ordering the P6810, P6860 or P6880 individually.

**TLA7AA1** – 34-channel logic analyzer module, 8 GHz timing, 120 MHz state, 128 K depth (must select one probe option below). Options for up to 32 M depth and/or up to 450 MHz state.

**TLA7AA2** – 68-channel logic analyzer module, 8 GHz timing, 120 MHz state, 128 K depth (must select one probe option below). Options for up to 32 M depth and/or up to 450 MHz state.

**TLA7AA3** – 102-channel logic analyzer module, 8 GHz timing, 120 MHz state, 128 K depth (must select one probe option below). Options for up to 32 M depth and/or up to 450 MHz state.

**TLA7AA4** – 136-channel logic analyzer module, 8 GHz timing, 120 MHz state, 128 K depth (must select one probe option below). Options for up to 32 M depth and/or up to 450 MHz state.

**TLA7AB2** – 68-channel logic analyzer module, 8 GHz timing, 120 MHz state, 64 M depth (must select one probe option below). Option for up to 450 MHz state.

**TLA7AB4** – 136-channel logic analyzer module, 8 GHz timing, 120 MHz state, 64 M depth (must select one probe option below). Option for up to 450 MHz state.

► **Quantity of Probes Per Option**

Option	TLA7AA1	TLA7AA2	TLA7AA3	TLA7AA4	TLA7AB2	TLA7AB4
2P Add P6810 Probes	1	2	3	4	2	4
3P Add P6860 Probes	1	2	3	4	2	4
4P Add P6880 Probes	1	2	3	4	2	4

**Logic Analyzer TLA7Axx Module Probe Options**

**Opt. 2P** – Add full complement of P6810 general-purpose probe, 34 ch, differential clock, differential data probes (each includes four single-ended and four differential, 8 channel leadsets, two 1 channel leadsets, single-ended and differential, 40 SMT KlipChip™ grabber tips).

**Opt. 3P** – Add full complement of P6860 high-density compression probe, 34 ch, differential clock, single-ended data probe(s).

**Opt. 4P** – Add full complement of P6880 high-density compression probe, 34 ch, differential clock, differential data probe(s).

**Logic Analyzer TLA7AAx Module Options**

(Base configuration is 128 K depth at 120 MHz state.)

**Opt 1S** – Increase to 512 Kb Depth at 120 MHz State.

**Opt 2S** – Increase to 2 Mb Depth at 120 MHz State.

**Opt 3S** – Increase to 8 Mb Depth at 120 MHz State.

**Opt 4S** – Increase to 32 Mb Depth at 120 MHz State.

**Opt 5S** – Increase to 128 Kb Depth at 235 MHz State.

**Opt 6S** – Increase to 512 Kb Depth at 235 MHz State.

**Opt 7S** – Increase to 2 Mb Depth at 235 MHz State.

**Opt 8S** – Increase to 8 Mb Depth at 235 MHz State.

**Opt 9S** – Increase to 32 Mb Depth at 235 MHz State.

**Opt AS** – Increase to 128 Kb Depth at 450 MHz State.

**Opt BS** – Increase to 512 Kb Depth at 450 MHz State.

**Opt CS** – Increase to 2 Mb Depth at 450 MHz State.

**Opt DS** – Increase to 8 Mb Depth at 450 MHz State.

**Opt ES** – Increase to 32 Mb Depth at 450 MHz State.

**Logic Analyzer TLA7ABx Module Options**

(Base configuration is 64 M depth at 120 MHz state.)

**Opt 1S** – Increase to 64 Mb Depth at 235 MHz State.

**Opt 2S** – Increase to 64 Mb Depth at 450 MHz State.

**TLA700 Series Module Upgrades**

You can increase the memory depth and state speed of most existing TLA700 Series logic analyzer modules. You can also install a TLA7Axx logic analyzer module into an existing TLA714/715/720/721/7XM mainframe. Please refer to the TLA Family Upgrade Guide for further details.

# Tektronix Logic Analyzers

► Detailed Product Information



► **P6810.**

## Logic Analyzer Probe Selection Guidelines

For the TLA7Axx logic analyzer modules, you have the choice of three probe options.

### Logic Analyzer Module Probes and Accessories

**P6810 (TLA7Axx Option 2P)** – The P6810 is a 34-channel general-purpose probe with differential clock, differential data for use when 1) probing individual test points within your target system, either directly or with a test clip, or 2) direct connection to legacy TLA family processor/bus support probe adapters with 8-channel probe connectors. The P6810 works with a wide range of industry-standard probing accessories for flexible attachment to your target system. This probe is recommended for most general-purpose applications. Fits both 0.100 in. and 2 mm square pin configurations.

**34-channel General-purpose Probe with Differential Clock, Differential Data and Accessories for TLA7Axx Logic Analyzer Modules** – Order P6810.

Part Number	Description
010-6810-00	17-channel P6810 Probe
352-1097-00	Podlet Holders, Bag of 4
335-0345-00	1 Sheet of Probe Labels
196-3471-01	2 each – 1 ch leadset, Single-ended and Differential
196-3470-00	4 each – 8 ch leadset, Single-ended
196-3472-00	4 each – 8 ch leadset, Differential
SMG50	20 each – SMT KlipChip grabber tips

**P6810 Probe Cable Length** – 1.8 m (6 ft.).



► **P6860.**

**P6860 (TLA7Axx Option 3P)** – The P6860 is a 34-channel high-density compression probe, with differential clock and single-ended data. This probe uses a connectorless probe attach mechanism for quick and reliable connections to your system under test. This probe is recommended for those applications that require higher signal density or a connectorless probe attach.

**34-channel High-density Compression Probe, with Differential Clock and Single-ended Data** – Order P6860.

Part Number	Description
010-6860-00	34-channel P6860 Probe
020-2453-00	2 each – Nut block (used on <0.093 in. thick PCB)
020-2451-00	2 each – Elastomer Holder Assembly, Thin (used on <0.093 in. thick PCB)
020-2452-00	2 each – Elastomer Holder Assembly, Thick (used on >0.093 in. thick PCB)
335-0346-00	1 each – Sheet of Probe Labels
020-2457-00	1 each – Mictor-on-PCB to Compression Adapter
020-2455-00	1 each – Compression-on-PCB to Mictor Adapter, 17-channel
020-2456-00	1 each – Compression-on-PCB to Mictor Adapter, 34-channel

**NOTE:** Recommend PEM KFS-256 or equivalent for >0.093 in. thick PCB.

**P6860 Probe Cable Length** – 1.9 m (6.25 ft.).



► **P6880.**

**P6880 (TLA7Axx Option 4P)** – The P6880 is a 34-channel high-density compression probe with differential clock and differential data. This probe uses a connectorless probe attach mechanism for quick and reliable connection to your system under test. This probe is recommended for high-density applications that require a full differential probe.

**34-channel High-density Compression Probe with Differential Clock and Differential Data and Accessories for TLA7Axx Logic Analyzer Modules** – Order P6880.

Part Number	Description
010-6880-00	34-channel P6880 Probe
020-2453-00	2 each – Nut block (used on <0.093 in. thick PCB)
020-2451-00	2 each – Elastomer Holder Assembly, Thin (used on <0.093 in. thick PCB)
020-2452-00	2 each – Elastomer Holder Assembly, Thick (used on >0.093 in. thick PCB)
335-0697-00	1 each – Sheet of Probe Labels

**NOTE:** Recommend PEM KFS-256 or equivalent for >0.093 in. thick PCB.

**P6880 Probe Cable Length** – 1.5 m (5 ft.).

► **TLA7Nx/Px/Qx Logic Analyzer Modules**

**Includes:** Probe retainer bracket, probe manual, user manual, certificate of calibration, one-year warranty (return to Tektronix).

Probes must be ordered separately – Order Opt. 1P (P6418) or Opt. 2P (P6434) or Opt. 3P (P6417). You can also choose to order any combination and quantity of probes by ordering the P6418, P6434 or P6417 individually.

**TLA7N1** – 34-channel logic analyzer module, 2 GHz timing, 100 MHz state, 64 K depth (must select one probe option below). Options for up to 4 M depth and/or 200 MHz state.

**TLA7N2** – 68-channel logic analyzer module, 2 GHz timing, 100 MHz state, 64 K depth (must select one probe option below). Options for up to 4 M depth and/or 200 MHz state.

**TLA7N3** – 102-channel logic analyzer module, 2 GHz timing, 100 MHz state, 64 K depth (must select one probe option below). Options for up to 4 M depth and/or 200 MHz state.

**TLA7N4** – 136-channel logic analyzer module, 2 GHz timing, 100 MHz state, 64 K depth (must select one probe option below). Options for up to 4 M depth and/or 200 MHz state.

**TLA7P2** – 68-channel logic analyzer module, 2 GHz timing, 100 MHz state, 16 M depth (must select one probe option below). Option for up to 200 MHz state.

**TLA7P4** – 136-channel logic analyzer module, 2 GHz timing, 100 MHz state, 16 M depth (must select one probe option below). Option for up to 200 MHz state.

**TLA7Q2** – 68-channel logic analyzer module, 2 GHz timing, 100 MHz state, 64 M depth (must select one probe option below). Option for up to 200 MHz state.

**TLA7Q4** – 136-channel logic analyzer module, 2 GHz timing, 100 MHz state, 64 M depth (must select one probe option below). Option for up to 200 MHz state.

**Logic Analyzer “N, P & Q” Module Probe Options**

**Opt. 1P** – Add full complement of P6418 17-channel general-purpose probes (each includes two 8-channel leadsets, one 1-Channel leadset, 20 SMT KlipChip grabber tips).

**Opt. 2P** – Add full complement of P6434 34-channel high-density probe(s).

**Opt. 3P** – Add full complement of P6417 17-channel general-purpose probes that allow you to separate the 8-channel podlet groups into individual channels (each includes two 8 channel leadsets, one 1-channel leadset, 20 SMT KlipChip grabber tips).

**Logic Analyzer “N” Module Options**

(Base configuration is 64 K depth at 100 MHz state)

**Opt. 1S** – Increase to 256 K depth at 100 MHz state.

**Opt. 2S** – Increase to 1 M depth at 100 MHz state.

**Opt. 3S** – Increase to 4 M depth at 100 MHz state.

**Opt. 4S** – Increase to 64 K depth at 200 MHz state.

**Opt. 5S** – Increase to 256 K depth at 200 MHz state.

**Opt. 6S** – Increase to 1 M depth at 200 MHz state.

**Opt. 7S** – Increase to 4 M depth at 200 MHz state.

**Logic Analyzer “P” Module Options**

(Base configuration is 16 M depth at 100 MHz state)

**Opt. 1S** – Increase to 16 M depth at 200 MHz state.

**Logic Analyzer “Q” Module Options**

(Base configuration is 64 M depth at 100 MHz state)

**Opt. 1S** – Increase to 64 M depth at 200 MHz state.

**TLA700 Series Module Upgrades**

You can increase the memory depth and state speed of most existing TLA700 Series logic analyzer modules. You can also install a TLA7Nx/Px/Qx logic analyzer module into an existing TLA714/715/720/721/7XM mainframe. Please refer to the TLA Family Upgrade Guide for further details.

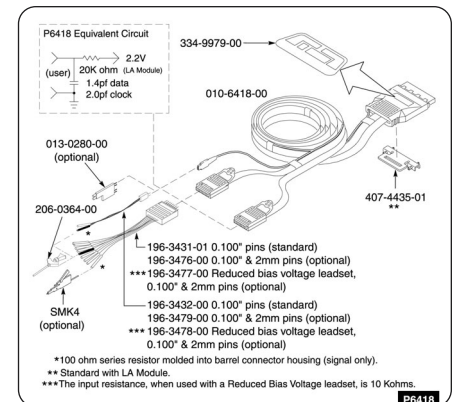
**Logic Analyzer Probe Selection Guidelines**

For the TLA7Nx/Px/Qx logic analyzer modules, you have the choice of three probe options.

**Logic Analyzer Module Probes and Accessories**

**P6418 (TLA7Nx/Px/Qx Opt. 1P)** – The P6418 is a 17-channel general-purpose probe with leadsets and grabber tips for use with: 1) probing individual test points within your target system, either directly or with a test clip, or 2) direct connection to legacy TLA family processor/bus support probe adapters with 8-Channel probe connectors. The P6418 works with a wide range of industry-standard probing accessories for flexible attachment to your target system. This probe is recommended for most general-purpose applications.

**17-channel General-purpose Probe and Accessories for TLA7Lx/7Mx, TLA7Nx/7Px/7Qx Logic Analyzer Modules – Order P6418.**



► **P6418.**



► **P6418.**

# Tektronix Logic Analyzers

► Detailed Product Information

## ► Quantity of Probes Per Option

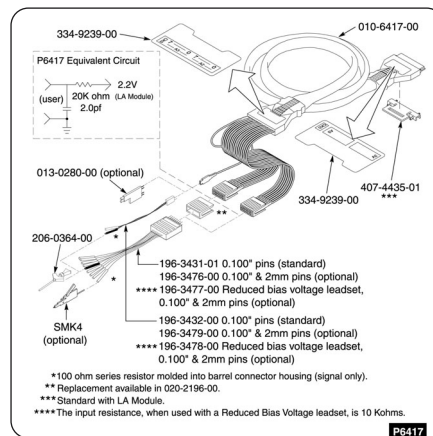
Option	TLA7N1	TLA7N2	TLA7N3	TLA7N4	TLA7P2	TLA7P4	TLA7Q2	TLA7Q4
1P Add P6418 Probes	2	4	6	8	4	8	4	8
2P Add P6434 Probes	1	2	3	4	2	4	2	4
3P Add P6417 Probes	2	4	6	8	4	8	4	8

Part Number	Description
010-6418-00	17-channel probe
334-9979-00	1 sheet of probe labels (not installed)
196-3431-01	1 each – 8-channel leadset (barrel connectors support 0.100" spacing)
196-3432-00	1 each – 1-channel leadset (barrel connectors support 0.100" spacing)
196-3477-00	1 each – 8-channel reduced bias voltage leadset (barrel connectors support 0.100" spacing)
196-3478-00	1 each – 1-channel reduced bias voltage leadset (barrel connectors support 0.100" spacing)
SMG50	20 each – SMT KlipChip grabber tips
013-0280-00	One-to-two adapter (optional)
SMK4	Micro KlipChip grabber tip adapter, 4 each (optional)
071-0567-00	P6417/P6418 Instruction Manual

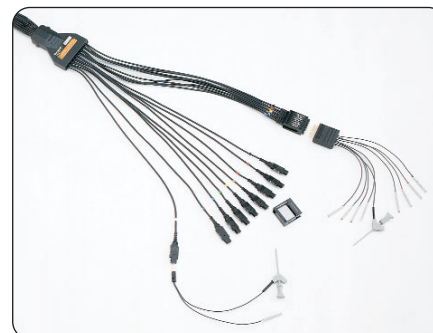
**P6418 Probe Cable Length** – 1.9 m (6.25 ft.).

**P6417 (TLA7Nx/Px/Qx Opt. 3P)** – The P6417 is a 17-channel general-purpose probe that is similar to the P6418 with the additional capability of allowing you to separate the 8-channel podlet groups into individual channels for both maximum electrical performance and maximum distance between adjacent channels. This probe is recommended for those general-purpose applications that require maximum flexibility.

**17-channel General-purpose Probe and Accessories for TLA7Lx/7Mx, TLA7Nx/7Px/7Qx Logic Analyzer Modules** – Order P6417.



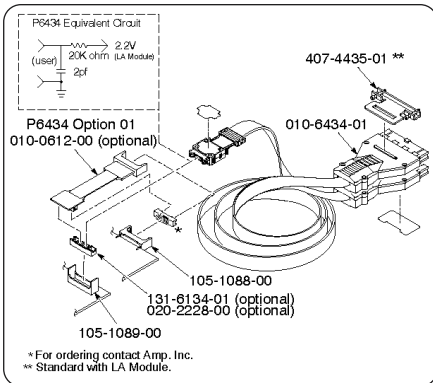
► **P6417.**



► **P6417.**

Part Number	Description
010-6417-00	17-channel probe
N/A	2 each – 8-channel podlet holders (installed)
N/A	1 set of 17 podlet color coding bands (installed)
334-9239-00	1 sheet of probe labels (not installed)
196-3431-01	1 each – 8-channel leadset (barrel connectors support 0.100" spacing)
196-3432-00	1 each – 1-channel leadset (barrel connectors support 0.100" spacing)
196-3477-00	1 each – 8-channel reduced bias voltage leadset (barrel connectors support 0.100" spacing)
196-3478-00	1 each – 1-channel reduced bias voltage leadset (barrel connectors support 0.100" spacing)
SMG50	20 each – SMT KlipChip grabber tips
013-0280-00	One-to-two adapter (optional)
SMK4	Micro KlipChip grabber tip adapter, 4 each (optional)
071-0567-00	P6417/P6418 Instruction Manual

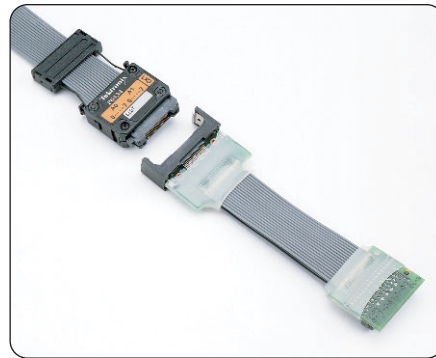
**P6417 Probe Cable Length** – 1.8 m (6 ft.).



► **P6434.**

**P6434 (TLA7Nx/Px/Qx Option 2P)** – The P6434 is a lightweight probe with quick connect/disconnect and a positive latching mechanism to ensure a secure, reliable connection. It is for use with: 1) applications where you have designed in the AMP Mictor high-density connectors into your target system, or 2) direct connection to newer TLA family processor/bus support probe adapters with AMP Mictor 34-channel probe connectors. An optional low-profile adapter for low-clearance applications is also available. This probe is recommended for all high-density applications.

**34-channel High-density Probe and Accessories for TLA7Lx/Mx, TLA7Nx/Px/Qx Logic Analyzer Modules** – Order P6434.



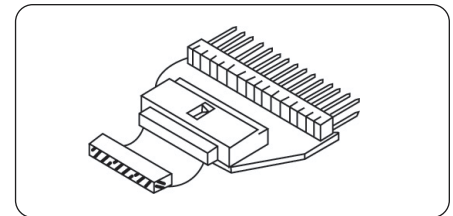
► **P6434.**

Part Number	Description
010-6434-00	34-channel probe
N/A	1 sheet of probe labels (not installed)
105-1088-00	1 latch housing assembly, edge-mount
105-1089-00	1 latch housing assembly, vertical
070-9793-02	P6434 Instruction Manual
131-6134-01	1 each – AMP mictor connector, surface-mount (optional)
020-2228-00	21 each – AMP mictor connector, surface-mount (optional)

**34-channel Low-profile Adapter for P6434** – Order P6434 Option 01.

Part Number	Description
010-0612-00	Low-profile leadset for P6434 (optional)

**P6434 Probe Cable Length** – 1.5 m (5 ft.).



► **UPIK3M.**

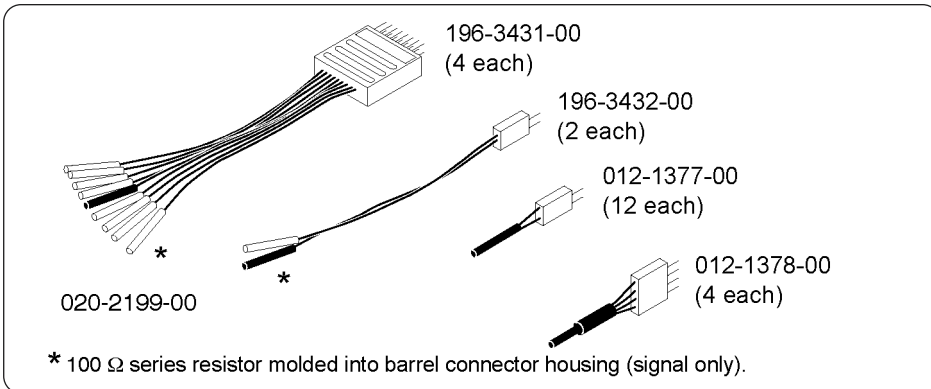
**P6417 to 3M Type 3592, 2x10, 0.1 in. Adapter** – Order UPIK3M (5 ea.).  
 Order 671-2508-00 (1 ea.).

**34-channel Probe Interface Kit w/ Barrel Connectors** – Order 020-2199-00.

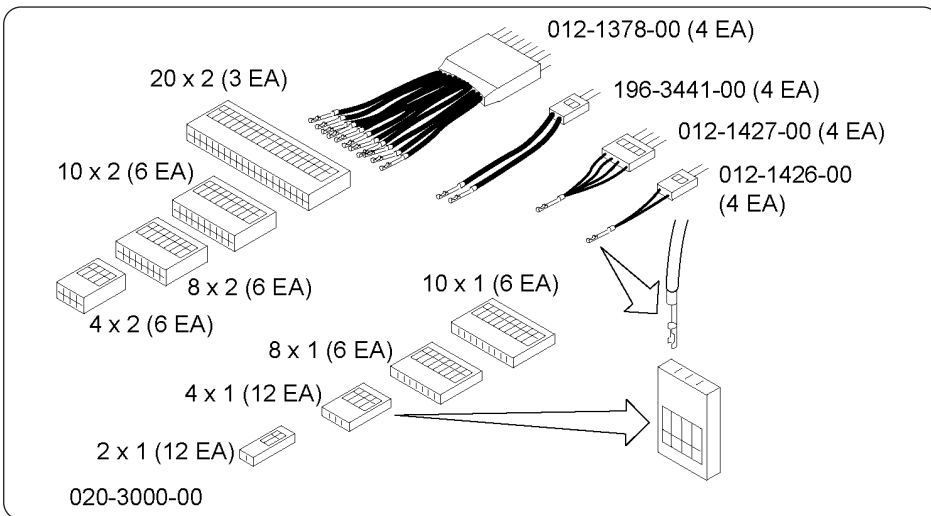
**34-channel Probe Interface Kit w/ Mini-PV Connectors** – Order 020-3000-00.

# Tektronix Logic Analyzers

► Detailed Product Information



► Differential-to-single-ended converter pods.



## Differential-to-single-ended Converters

Each podlet converts 8 input differential pairs to a single-ended output for use with the TLA logic analyzer. They draw their power from separate wires connected to the system under test. The units are shipped without any input termination connected and a supply of 100 Ω termination resistors for use and installation by the user, if desired. The units are shipped without input leadsets. Leadsets are also available.

## Differential ECL/PECL to Single-ended ECL Converter Pod

Each channel is converted via an ON Semiconductor MC10E416 buffer which will support speeds as high as 800 MHz. The inputs have provisions for differential and/or parallel termination. The input power is provided via two leads that are connected to a lower voltage and a higher voltage, each DC-isolated from the output, allowing operation in both ECL and PECL systems.

## Differential LVDS/TTL to Single-ended TTL Converter Pod

Each channel is converted via a National Semiconductor DS90LV032A receiver supporting data rates in excess of 400 Mb/s (200 MHz). The inputs have provisions for differential terminations and have resistor-diode input protection from over voltage.

For information or ordering, please contact:

Dragonfly Software Development  
 4905 SW Griffith Drive, Suite 100  
 Beaverton, OR 97005-8724  
 (503) 643-3800 phone  
 (503) 626-9653 fax

► **TLA7Dx/Ex Digital Storage Oscilloscope Modules**

**Includes:** Probes, user manual, certificate of calibration, and one-year warranty (return to Tektronix).

**TLA7D1** – 2-channel DSO module, 500 MHz bandwidth, 2.5 GS/s sample rate, 15 K depth (includes two P6243 1.0 GHz active FET probes, probe calibration adapter and manual).

**TLA7D2** – 4-channel DSO module, 500 MHz bandwidth, 2.5 GS/s sample rate, 15 K depth (includes four P6243 1.0 GHz active FET probes, probe calibration adapter and manual).

**TLA7E1** – 2-channel DSO module, 1 GHz bandwidth, 5 GS/s sample rate, 15 K depth (includes two P6245 1.5 GHz active FET probes, probe calibration adapter and manual).

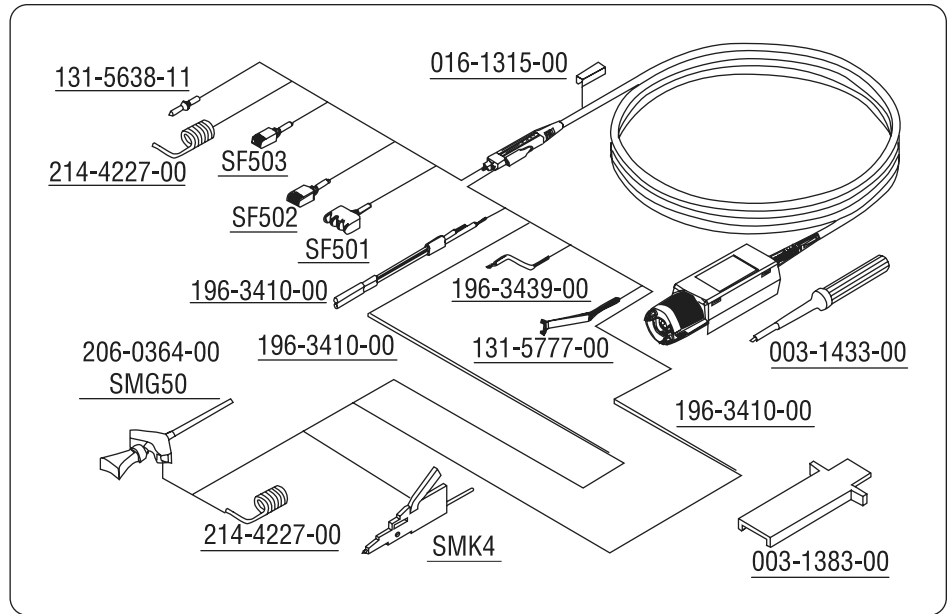
**TLA7E2** – 4-channel DSO module, 1 GHz bandwidth, 5 GS/s sample rate, 15 K depth (includes four P6245 1.5 GHz active FET probes, probe calibration adapter and manual).

**P6243** – 1.0 GHz active FET probe and accessories, length 1.5 m.

**P6245** – 1.5 GHz active FET probe and accessories, length 1.5 m.

**TLA700 Series DSO Module Upgrades**

You can install a TLA7Dx/Ex digitizing oscilloscope module into an existing TLA714/715/720/721/7XM mainframe. Please refer to the TLA Family Upgrade Guide for further details.



► *DSO Module Accessories.*

► **TLA700 Series DSO Module Upgrades**

Part Number	Description
003-1383-00	Compensation box and cover removal tool
003-1433-00	Adjustment tool
016-1315-00	2 each – 5 colors of cable markers
131-5638-10	10 each – solderable probe tips
131-5777-00	100 mil square pin ground adapter
196-3410-00	Ground lead set includes:
N/A	2 each – 1 in., 3 in., 6 in. ground leads w/ square pin receptacle;
N/A	2 each – Y lead adapters
196-3439-00	1 in. ground lead
206-0364-00	SMT KlipChip, 1 each
214-4227-00	Right angle square pin adapter
SF501	SureFoot® probe tip adapter, pkg. of 12, yellow, 50 mil pitch
SF502	SureFoot probe tip adapter, pkg. of 12, blue, 25 mil/0.65 mm pitch
SF503	SureFoot probe tip adapter, pkg. of 12, red, 0.5 mm pitch
SMG50	SMT KlipChip grabber tip, 20 each
SMK4	Micro KlipChip adapter, 4 each
070-9408-00	P6243 Instruction Manual
070-8995-01	P6245 Instruction Manual



# Tektronix Logic Analyzers

## ► Detailed Product Information

### ► TLA7PG2 Pattern Generator Module

**TLA7PG2** – 64-channel pattern generator module, 134 MHz data rate, 256 K depth (please select probe option below).

**Includes:** Four probe cables, user manual, certificate of calibration and one year warranty (return to Tektronix).

**Opt. 1C** – Add 168 SMT KlipChip grabber tips.

**Opt. 1M** – Increase to 1 M depth.

**Opt. 1P** – Add four 16-channel P6470 TTL/CMOS probes (each includes two 8-channel leadsets and one 5-channel leadset).

**Opt. 2P** – Add four 16-channel P6471 ECL probes (each includes two 8-channel leadsets and one 5-channel leadset).

**Opt. 3P** – Add four 16-channel P6472 PECL probes (each includes one 8-channel leadset and one 5-channel leadset).

**Opt. 4P** – Add four 8-channel P6473 LVDS probes (each includes two 8-channel leadsets and one 5-channel leadset).

**Opt. 5P** – Add four 16-channel P6474 LVCMOS probes (each includes two 8-channel leadsets and one 5-channel leadset).

**Opt. 6P** – Add one 8-channel P6475 Variable probe with 115 V US Std. power plug. (Includes 12 SMB-to-header coax cables).

**Opt. 7P** – Add one 8-channel P6475 Variable probe with 220 V Euro power plug. (Includes 12 SMB-to-header coax cables).

**Opt. 8P** – Add one 8-channel P6475 Variable probe with 240 V UK power plug. (Includes 12 SMB-to-header coax cables).

**Opt. 9P** – Add one 8-channel P6475 Variable probe with 240 V Australian power plug. (Includes 12 SMB-to-header coax cables).

**Opt. AP** – Add one 8-channel P6475 Variable probe with 240 V N. American power plug. (Includes 12 SMB-to-header coax cables).

**Opt. BP** – Add one 8-channel P6475 Variable probe with 220 V Swiss power plug. (Includes 12 SMB-to-header coax cables).

**Opt. CP** – Add one 8-channel P6475 Variable probe with no power plug. (Includes 12 SMB-to-header coax cables).

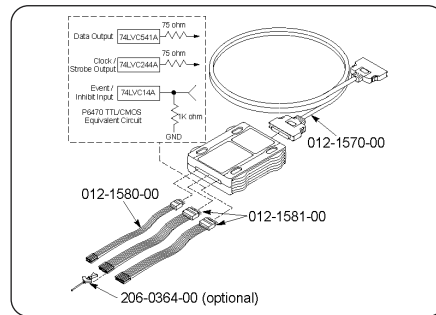
### TLA700 Series Pattern Generator Module(s) Upgrades

You can increase the memory depth of most existing TLA700 Series pattern generator modules. You can also install a TLA7PG2 pattern generator module into and existing TLA714/715/720/721/7XM mainframe. Please refer to the TLA Family Upgrade Guide for further details.

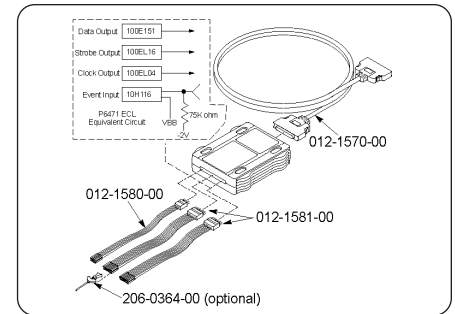
### TLA7PG2 Pattern Generator Probes

**16-channel TTL/CMOS Probe and Accessories for TLA7PG2 Pattern Generator Module** – Order P6470.

Part Number	Description
012-1581-00	2 each – 8-channel leadsets
012-1580-00	1 each – 5-channel leadset
012-1570-00	Probe cable (optional – std. with TLA7PG2 module)
071-1017-01	Pattern Generator Probe User Manual



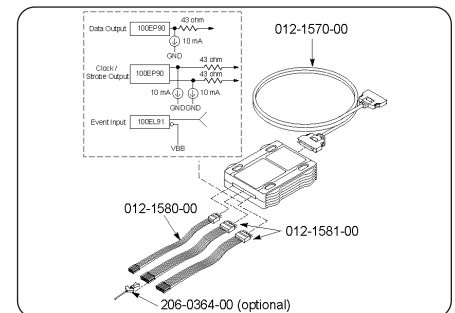
► **P6470.**



► **P6471.**

**16-channel ECL Probe and Accessories for TLA7PG2 Pattern Generator Module** – Order P6471.

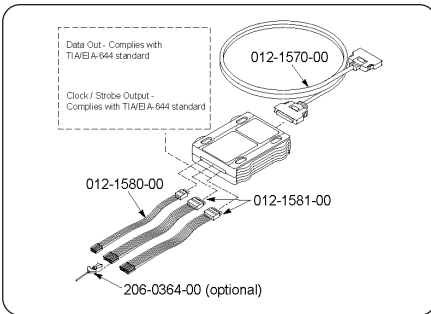
Part Number	Description
012-1581-00	2 each – 8-channel leadsets
012-1580-00	1 each – 5-channel leadset
012-1570-00	Probe cable (optional – std. with TLA7PG2 module)
071-1017-01	Pattern Generator Probe User Manual



► **P6472.**

**8-channel PECL/LVPECL Probe and Accessories for TLA7PG2 Pattern Generator Module** – Order P6472.

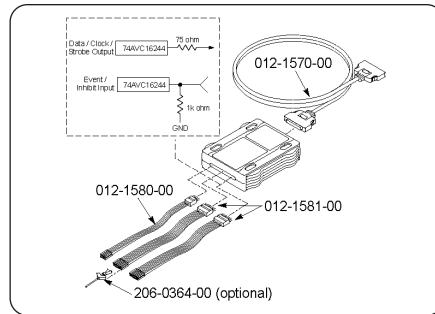
Part Number	Description
012-1581-00	1 each – 8-channel leadset
012-1580-00	1 each – 5-channel leadset
012-1570-00	Probe cable (optional – std. with TLA7PG2 module)
071-1017-01	Pattern Generator Probe User Manual



▶ **P6473.**

**16-channel LVDS Probe and Accessories for TLA7PG2 Pattern Generator Module – Order P6473.**

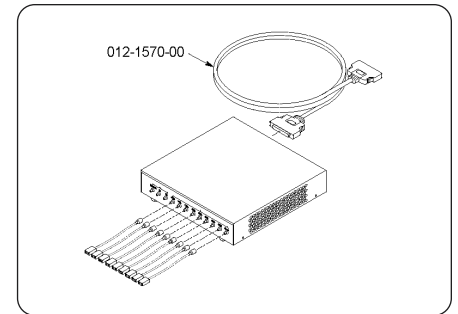
Part Number	Description
012-1581-00	2 each – 8-channel leadsets
012-1580-00	1 each – 5-channel leadset
012-1570-00	Probe cable (optional – std. with TLA7PG2 module)
071-1017-01	Pattern Generator Probe User Manual



▶ **P6474.**

**16-channel LVCMOS Probe and Accessories for TLA7PG2 Pattern Generator Module – Order P6474.**

Part Number	Description
012-1581-00	2 each – 8-channel leadsets
012-1580-00	1 each – 5-channel leadset
012-1570-00	Probe cable (optional – std. with TLA7PG2 module)
071-1017-01	Pattern Generator Probe User Manual



▶ **P6475.**

**8-channel Variable Probe and Accessories for TLA7PG2 Pattern Generator Module – Order P6475.**

Part Number	Description
012-1504-00	SMB-to-header Coaxial cable set
012-1570-00	Probe cable (optional – std. with TLA7PG2 module)
071-1017-01	Pattern Generator Probe User Manual
012-A224-00	Time alignment cable for use with P6470/P6473/P6474

# Tektronix Logic Analyzers

► Detailed Product Information

## ► TLA600 Series

### TLA60x

#### Logic Analyzer with External Display.

**Includes:** Wheel mouse, keyboard, front-panel cover, accessory pouch, probe retainer bracket, probe manual, power cord (North American 120 VAC, 60 Hz), software, user manual, certificate of calibration, and one-year warranty (return to Tektronix). Display is not included.

Probes must be ordered separately – Order Opt. 1P (P6418) or Opt. 2P (P6434) or Opt. 3P (P6417). You can also choose to order any combination and quantity of probes by ordering the P6418, P6434 or P6417 individually.

**TLA601** – 34-channel logic analyzer, 2 GHz timing, 100 MHz state, 64 K depth (must select one probe option below). Options for up to 256 K depth and/or 200 MHz state. Requires external display.

**TLA602** – 68-channel logic analyzer, 2 GHz timing, 100 MHz state, 64 K depth (must select one probe option below). Options for up to 256 K depth and/or 200 MHz state. Requires external display.

**TLA603** – 102-channel logic analyzer, 2 GHz timing, 100 MHz state, 64 K depth (must select one probe option below). Options for up to 256 K depth and/or 200 MHz state. Requires external display.

**TLA604** – 136-channel logic analyzer, 2 GHz timing, 100 MHz state, 64 K depth (must select one probe option below). Options for up to 256 K depth and/or 200 MHz state. Requires external display.

### ► Quantity of Probes per Option

Option	TLA601/611/621	TLA602/612/622	TLA603/613/623	TLA604/614/624
1P Add P6418 Probes	2	4	6	8
2P Add P6434 Probes	1	2	3	4
3P Add P6417 Probes	2	4	6	8

Please refer to the “Logic Analyzer Probe Selection Guidelines” for further details on the probe which is best for your application.

### TLA61x

#### Logic Analyzer with Internal Display.

**Includes:** Wheel mouse, keyboard, front-panel cover, accessory pouch, probe retainer bracket, probe manual, power cord (North American 120 VAC, 60 Hz), software, user manual, certificate of calibration, and one-year warranty (return to Tektronix).

Probes must be ordered separately – Order Opt. 1P (P6418) or Opt. 2P (P6434) or Opt. 3P (P6417). You can also choose to order any combination and quantity of probes by ordering the P6418, P6434 or P6417 individually.

**TLA611** – 34-channel logic analyzer, 2 GHz timing, 100 MHz state, 64 K depth (must select one probe option below). Options for up to 256 K depth and/or 200 MHz state.

**TLA612** – 68-channel logic analyzer, 2 GHz timing, 100 MHz state, 64 K depth (must select one probe option below). Options for up to 256 K depth and/or 200 MHz state.

**TLA613** – 102-channel logic analyzer, 2 GHz timing, 100 MHz state, 64 K depth (must select one probe option below). Options for up to 256 K depth and/or 200 MHz state.

**TLA614** – 136-channel logic analyzer, 2 GHz timing, 100 MHz state, 64 K depth (must select one probe option below). Options for up to 256 K depth and/or 200 MHz state.

### TLA62x

#### Logic Analyzer with Internal Display.

**Includes:** Wheel mouse, keyboard, front-panel cover, accessory pouch, probe retainer bracket, probe manual, power cord (North American 120 VAC, 60 Hz), software, user manual, certificate of calibration, one-year warranty (return to Tektronix).

Probes must be ordered separately – Order Opt. 1P (P6418) or Opt. 2P (P6434) or Opt. 3P (P6417). You can also choose to order any combination and quantity of probes by ordering the P6418, P6434 or P6417 individually.

**TLA621** – 34-channel logic analyzer, 2 GHz timing, 100 MHz state, 1 M depth (must select one probe option below). Option for up to 200 MHz state.

**TLA622** – 68-channel logic analyzer, 2 GHz timing, 100 MHz state, 1 M depth (must select one probe option below). Option for up to 200 MHz state.

**TLA623** – 102-channel logic analyzer, 2 GHz timing, 100 MHz state, 1 M depth (must select one probe option below). Option for up to 200 MHz state.

**TLA624** – 136-channel logic analyzer, 2 GHz timing, 100 MHz state, 1 M depth (must select one probe option below). Option for up to 200 MHz state.

### Logic Analyzer Probe Options

**Opt. 1P** – Add full complement of P6418 17-channel general-purpose probes (each includes two 8-channel leadsets, one 1-channel leadset, 20 SMT KlipChip grabber tips).

**Opt. 2P** – Add full complement of P6434 34-channel high-density probe(s).

**Opt. 3P** – Add full complement of P6417 17-channel general-purpose probes that allow you to separate the 8-channel podlet groups into individual channels (each includes two 8-channel leadsets, one 1-channel leadset, 20 SMT KlipChip grabber tips).

**TLA60X/61X Logic Analyzer Options**

- (Base configuration is 64 K depth at 100 MHz state).
- Opt. 1S** – Increase to 256 K depth at 100 MHz state.
- Opt. 4S** – Increase to 64 K depth at 200 MHz state.
- Opt. 5S** – Increase to 256 K depth at 200 MHz state.

**TLA62X Logic Analyzer Option**

- (Base configuration is 1 M depth at 100 MHz state).
- Opt. 6S** – Increase to 1 M depth at 200 MHz state.

**TLA600 Series Upgrades**

You can upgrade the operating system, TLA application software, increase DRAM and hard disk of your existing TLA600 logic analyzer. You can also increase the memory depth and state speed of most existing TLA600 Series logic analyzers.

Please refer to TLA Family Upgrade Guide for further details.

**TLA60X/61X/62X Options**

- Opt. 1C** – Add iView external oscilloscope cable kit (012-1614-00).

**TLA60X/61X/62X International Power Plugs**

- Opt. A1** – Universal Euro 220 VAC; 50 Hz.
- Opt. A2** – UK 240 VAC; 50 Hz.
- Opt. A3** – Australian 240 VAC; 50 Hz.
- Opt. A4** – North American 240 VAC; 60 Hz.
- Opt. A5** – Switzerland 220 VAC; 50 Hz.
- Opt. A99** – No Power Cord.

**TLA60X/61X/62X Optional Accessories**

- Logic Analyzer Cart** – LACART, K4000.
- TLA60X/61X/62X Rackmount Kit** – Order 016-1790-00.
- TLA60X/61X/62X Wheeled Transport Case** – Order 016-1522-00.
- 17 in. Monitor Transport Case** – Order 016-1653-00.
- 21 in. Monitor Transport Case** – Order 016-1652-00.
- 83 Key Notebook Keyboard, PS2-Compatible** – Order 118-9402-00.
- TLA7QS** – TLA Family training package. (TLA configuration required: 102 channels).
- Opt. A1** – Universal Euro.
- Opt. A2** – United Kingdom.
- Opt. A6** – Japan.
- TLA7QS Technical Reference Support Kit** – Order 020-2211-02.

**TLA600 Series Manuals**

- TLA Family User Manual** – Order 071-0863-02 (for Version 4.2 TLA application software).
- TLA7QS Quickstart Training Manual** – Order 070-9717-05.

**TLA600 Series Service Manuals and Test Fixtures**

- TLA60x/61x/62x Service Manual (includes performance verification and adjustment procedures)** – Order 071-0728-02.
- TLA Logic Analyzer Adjustment Fixture (includes AC adapter; requires local power cord)** – Order 671-3599-00.

► **TLA Family Service Options**

	TLA6XX	TLA715/721	TLA7XM	TLA7Axx	TLA7NX/PX/QX	TLA7PG2	TLA7DX/EX
Opt. IN		X	X	X	X	X	X
Opt. R3	X	X	X	X	X	X	X
Opt. R5	X	X	X	X	X	X	X
Opt. S1		X	X				
Opt. S3		X	X				
Opt. C3	X	X		X	X		X
Opt. C5	X	X		X	X		X
Opt. D1	X	X		X	X		X
Opt. D3	X	X		X	X		X
Opt. D5	X	X		X	X		X

**TLA Family Service Options**

- Opt. IN** – Product installation service (on-site configuration and user familiarization; excluding network integration).
- Opt. R3** – Extends depot repair warranty service period to three years.
- Opt. R5** – Extends depot repair warranty service period to five years.

- Opt. S1** – Uplifts standard one-year warranty service of mainframe and installed modules to on-site service.
- Opt. S3** – Uplifts Opt. C3 and/or R3 of mainframe and installed modules to on-site service (must be ordered with Opt. C3 and/or R3).
- Opt. C3** – Three years of calibration service (includes initial calibration and two annual calibrations).

- Opt. C5** – Five years of calibration service (includes initial calibration and four annual calibrations).
- Opt. D1** – Add calibration test data report.
- Opt. D3** – Provides test data for each calibration (must be ordered with Opt. C3).
- Opt. D5** – Provides test data for each calibration (must be ordered with Opt. C5).

# Tektronix Logic Analyzers

► Detailed Product Information

## Contact Tektronix:

**ASEAN / Australasia / Pakistan** (65) 6356 3900

**Austria** +43 2236 8092 262

**Belgium** +32 (2) 715 89 70

**Brazil & South America** 55 (11) 3741-8360

**Canada** 1 (800) 661-5625

**Central Europe & Greece** +43 2236 8092 301

**Denmark** +45 44 850 700

**Finland** +358 (9) 4783 400

**France & North Africa** +33 (0) 1 69 86 80 34

**Germany** +49 (221) 94 77 400

**Hong Kong** (852) 2585-6688

**India** (91) 80-2275577

**Italy** +39 (02) 25086 1

**Japan** 81 (3) 3448-3111

**Mexico, Central America & Caribbean** 52 (55) 56666-333

**The Netherlands** +31 (0) 23 569 5555

**Norway** +47 22 07 07 00

**People's Republic of China** 86 (10) 6235 1230

**Poland** +48 (0) 22 521 53 40

**Republic of Korea** 82 (2) 528-5299

**Russia, CIS & The Baltics** +358 (9) 4783 400

**South Africa** +27 11 254 8360

**Spain** +34 (91) 372 6055

**Sweden** +46 8 477 6503/4

**Taiwan** 886 (2) 2722-9622

**United Kingdom & Eire** +44 (0) 1344 392400

**USA** 1 (800) 426-2200

**USA (Export Sales)** 1 (503) 627-1916

For other areas contact Tektronix, Inc. at: 1 (503) 627-7111

Updated 17 June 2002

Our most up-to-date product information is available at:  
[www.tektronix.com](http://www.tektronix.com)



Copyright © 2002, Tektronix, Inc. All rights reserved. Tektronix products are covered by U.S. and foreign patents, issued and pending. Information in this publication supersedes that in all previously published material. Specification and price change privileges reserved. TEKTRONIX and TEK are registered trademarks of Tektronix, Inc. All other trade names referenced are the service marks, trademarks or registered trademarks of their respective companies.

07/02 QA/WWW

52W-14255-2