



Enabling Australia's Field Technicians to build, troubleshoot and maintain better communications networks.



This reference material is provided by TMG Test Equipment, VI.AVI's **only** Master Distributor for Contractors in Australia



Industry Best Pricing



Finance Available



Short to Medium Project-Based Rental Solutions



Dedicated Technical & After-Sales Support



In-house Diagnostics, Repair & NATA Calibration Laboratory



FREECALL 1800 680 680

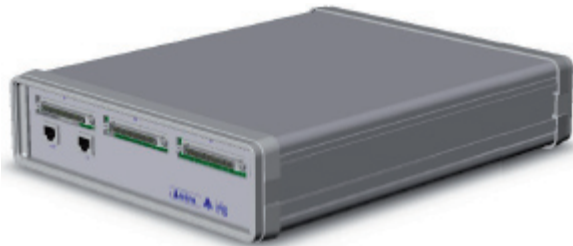
Iris-100/Iris-200 High Density Digital Cross Connect

Key Features

- High Density non blocking E1 Timeslot Switch and Groomer
- Monitors up to 32 E1's x 8 E1 Tx outputs
- Protected Monitoring / Grooming according to ITU-T G.772
- Easy to use
- Configurable input gain
- Proactive Alarm Reporting
- Web Browser and SNMP management

Applications

- QoS measurement
- Protocol analysis
- Real time surveillance
- Troubleshooting

**I-110****I-210****I-250**

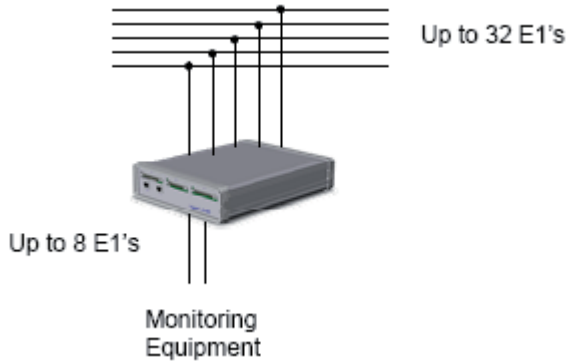
2

Iris

IRIS is a high density non blocking timeslot matrix switch designed to work in conjunction with Protocol Analyzer or Probes.

Any timeslot of the incoming E1 signal can be switched to any of the output timeslot available.

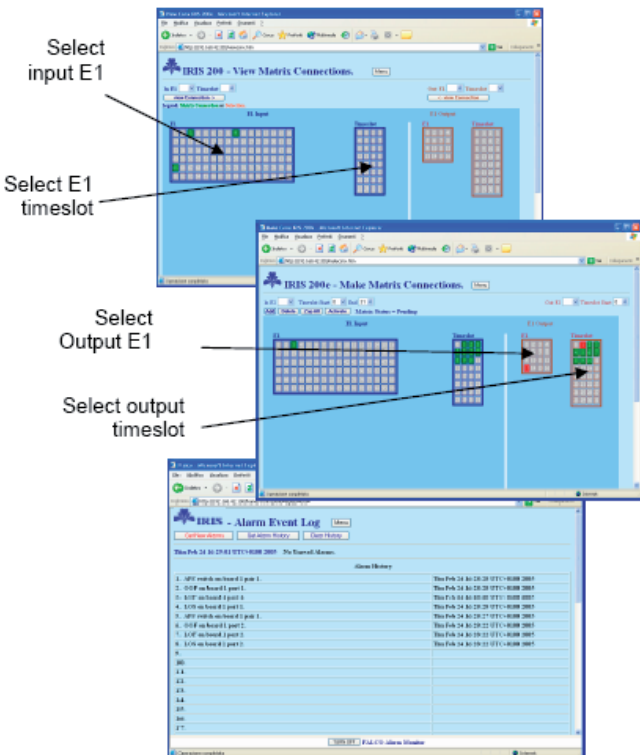
An incoming timeslot can also be duplicated on several outgoing timeslots.



IRIS management

IRIS supports several management modes

- Browser
- SNMP manager
- PC terminal



Easy to use

IRIS includes HTTP Web management server for Browser Management Access from any PC with Internet connection.

Through effective use of Web pages and pop up windows the user can easily access and modify device configuration and monitor its operation.

Proactive alarm reporting

IRIS incorporates alarm reporting feature enabling immediate detection of monitored links status problems.

IRIS-110 main characteristics

- Inputs: Up to 4 E1
- Outputs: Up to 2 Tx
- Available timeslots 1 - 31
- Timeslot selection: Any to Any

Input interface

- Programmable as: E1 G.703/G.704
- Protected monitoring point (G.722) terminated on 75 ohm (E1)
- terminated on 120 ohm (E1)

Sensitivity

- 32 dB with 0 dB attenuation (external protection)
- 12 dB with 20 dB attenuation (internal protection)

Output interface

Programmable as 120 or 75 ohm

Management

- Web browser
- SNMP support
- Telnet

Management interface

- 10/100 BT Ethernet
- RJ-45 Connector

Power

- 220/110 VAC 50/60 Hz
- Optional 48 VDC

Dimensions

175 width × 210 depth × 41 mm height

Weight

< 1.5 kg



I-110-4-2

3

IRIS-210 main characteristics

Inputs: Up to 16 E1
 Outputs: Up to 4 Tx
 Available timeslots 1 - 31
 Timeslot selection: Any to Any

Input interface

Programmable as: E1 G.703/G.704
 Protected monitoring point (G.722)
 terminated on 75 ohm (E1)
 terminated on 120 ohm (E1)

Sensitivity

32 dB with 0 dB attenuation (external protection)
 12 dB with 20 dB attenuation (internal protection)

Output interface

Programmable as 120 or 75 ohm

Management

Web Browser
 SNMP support
 Telnet

Management interface

10/100 BT Ethernet
 RJ-45 Connector

Power

220/110 VAC 50/60 Hz
 Optional 48 VDC
 Optional redundant power supply

Dimensions

48.3 width × 43.7 depth × 8.8 cm height

Weight

4 kg (8,8 pounds)



I-210-8-2



I-210-16-4

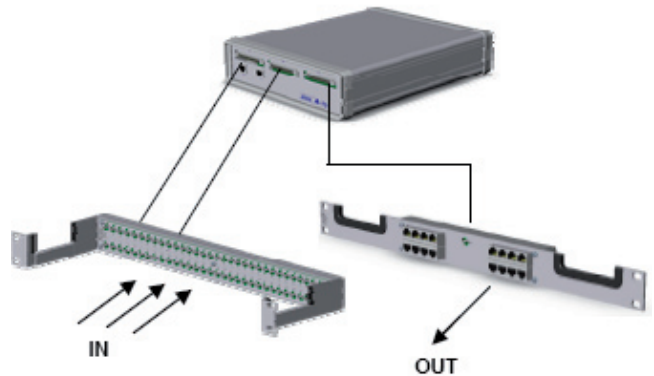
Iris-250

Iris-250 series is a system including a Base Unit and two Connector Panels providing the actual input and output ports.

This endows Iris with a great deal of flexibility in answering to customers' connectivity requirements.

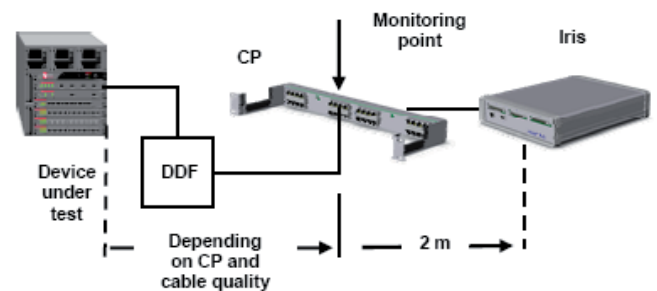
RJ-45 or 1.0/2.3 coax connectors cover most physical terminations in the market.

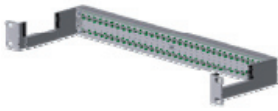
Connector Panels can be supplied with or without protection resistors.

I-250-32-8**Iris-250 Sensitivity**

As connector panels can be supplied with or without internal protection resistors, the Iris-250 system can have a sensitivity of:

- 32 dB for Iris with 0 dB attenuation connector panels (external protection)
- 12 dB for Iris with 20 dB attenuation connector panels (internal protection)



Connector panels


64 circuits
64 1.0/2.3 coax



64 circuits
32 RJ-45



32 circuits
16 RJ-45

IRIS-250 main characteristics

Inputs: Up to 32 E1's
Outputs: Up to 8 Tx
Available Timeslots 1 - 31
Timeslot selection: Any to Any

Input interface

Programmable as: E1 G.703/G.704
Protected monitoring point (G.722)
terminated on 75 ohm (E1)
terminated on 120 ohm (E1)

Sensitivity

32 dB for Iris with 0 dB attenuation connector panels (external protected point)
12 dB for Iris with 20 dB attenuation connector panels (internal protected point)

Output interface

Programmable as 120 or 75 ohm

Management

Web Browser
SNMP support
Telnet

Management interface

10/100 BT Ethernet
RJ-45 Connector

Power

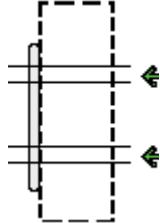
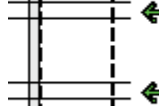

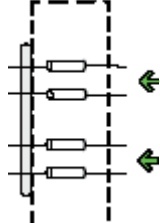
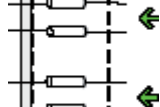

220/110 VAC 50/60 Hz
Optional 48 VDC

Dimensions

48.3 width × 43.7 depth × 8.8 cm height

Weight

4 kg (8,8 pounds)

Without protection	E1 / T1	Connector	Circuit
F-CP-32-E/T-J4-OR	32 E1/T1	RJ-45	
F-CP-64-E/T-J4-OR	64 E1/T1	RJ-45	
F-CP-64-E75-N3-OR	64 E1/T1	1.0/2.3 coax	
With protection	E1 / T1	Connector	Circuit
F-CP-32-E/T-J4-HR	32 E1/T1	RJ-45	
F-CP-64-E/T-J4-HR	64 E1/T1	RJ-45	
F-CP-64-E75-N3-HR	64 E1/T1	1.0/2.3 coax	

All statements, technical information and recommendations related to the products herein are based upon information believed to be reliable or accurate. However, the accuracy or completeness thereof is not guaranteed, and no responsibility is assumed for any inaccuracies. The user assumes all risks and liability whatsoever in connection with the use of a product or its applications. JDSU reserves the right to change at any time without notice the design, specifications, function, fit or form of its products described herein, including withdrawal at any time of a product offered for sale herein. JDSU makes no representations that the products herein are free from any intellectual property claims of others. Please contact JDSU for more information. JDSU and the JDSU logo are trademarks of JDS Uniphase Corporation. Other trademarks are the property of their respective holders. © 2006 JDS Uniphase Corporation. All rights reserved. 30149144 000 0707 IRIS-100.DS.CPO.TM.AE

Test & Measurement Regional Sales

NORTH AMERICA TEL: 1 866 228 3762 FAX: +1 301 353 9216	LATIN AMERICA TEL:+55 11 5503 3800 FAX:+55 11 5505 1598	ASIA PACIFIC TEL:+852 2892 0990 FAX:+852 2892 0770	EMEA TEL:+49 7121 86 2222 FAX:+49 7121 86 1222	WEBSITE: www.jdsu.com
---------------------------------------------------------------------	----------------------------------------------------------------------	-----------------------------------------------------------------	-------------------------------------------------------------	----------------------------------------------------------------