



ABN 43 064 478 842

231 Osborne Avenue Clayton South, VIC 3169  
PO Box 1548, Clayton South, VIC 3169  
t 03 9265 7400 f 03 9558 0875  
freecall 1800 680 680  
www.tmgtestequipment.com.au

## Test & Measurement

- > sales
- > rentals
- > calibration
- > repair
- > disposal

## Complimentary Reference Material

This PDF has been made available as a complimentary service for you to assist in evaluating this model for your testing requirements.

TMG offers a wide range of test equipment solutions, from renting short to long term, buying refurbished and purchasing new. Financing options, such as Financial Rental, and Leasing are also available on application.

TMG will assist if you are unsure whether this model will suit your requirements.

Call TMG if you need to organise repair and/or calibrate your unit.

If you click on the "Click-to-Call" logo below, you can call us for FREE!

TMG Corporate Website

TMG Products Website



Click-to-Call  
TMG Now



Product Lifecycle Management System

### Disclaimer:

All trademarks appearing within this PDF are trademarks of their respective owners.



## TCA-SMA Adapter Instructions

071-0820-03

www.tektronix.com



### Safety Summary

To avoid potential hazards, use this product only as specified.

#### To avoid fire or personal injury

**Connect and disconnect properly.** Connect the adapter to the host instrument before connecting the SMA device to the device-under-test. Disconnect the device input and ground from the device-under-test before disconnecting the SMA device from the adapter and host instrument.

**Ground the product.** This product is indirectly grounded through the grounding conductor of the host instrument power cord. To avoid electric shock, the grounding conductor must be connected to earth ground. Before making connections to the input or output terminals of the product, ensure that the product is properly grounded.

**Observe all terminal ratings.** To avoid fire or shock hazard, observe all ratings and markings on the host instrument. Consult the host instrument documentation for further ratings information before making connections to the host instrument.

Do not apply a potential to any terminal, including the common terminal, that exceeds the maximum rating of that terminal.

**Do not operate without covers.** Do not operate this product with covers or panels removed.

**Do not operate with suspected failures.** If you suspect there is damage to this product, have it inspected by qualified service personnel.

**Do not operate in wet/damp conditions.**

**Do not operate in an explosive atmosphere.**

**Keep product surfaces clean and dry.**

### Safety symbols on the product



### Product Description

The TekConnect™ SMA adapter allows you to connect SMA-terminated devices to Tektronix instruments with the TekConnect interface. The adapter preserves maximum signal integrity and eliminates the need for additional external adapters, which can degrade voltage standing wave ratio (VSWR).

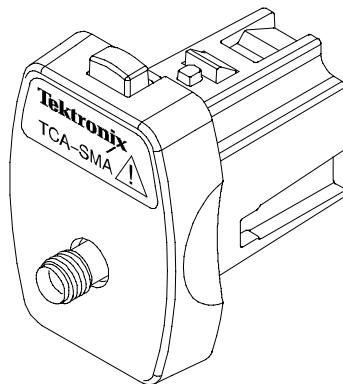


Figure 1: TCA-SMA Adapter

### Using the Adapter

The adapter connects directly to the Tekconnect interface on the host instrument.

#### Installing the Adapter

1. Insert the adapter into the TekConnect interface on the host instrument until the adapter locks in place.
2. Connect the SMA cable to the adapter.
3. Connect the other end of the SMA cable to the device under test.

**NOTE.** For high-frequency input signals (above 10 GHz), make sure that the input cables do not exert upward pressure on the adapter. Upward pressure can affect the connection to the host instrument, which could degrade signal quality.

#### Removing the Adapter

1. Disconnect the SMA cable from the device under test.
2. Disconnect the SMA cable from the adapter.
3. Press the button on top of the adapter (see Figure 2) to release the lock and remove the adapter from the host instrument.

**NOTE.** It may be necessary to remove the adapter before installing the host instrument cover.

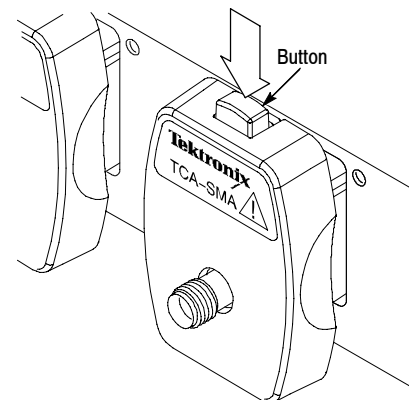


Figure 2: Removing the adapter from the host instrument

### Specifications

**Maximum Input Voltage.** The lesser of 30 V<sub>RMS</sub> or the maximum input voltage rating for the TekConnect host instrument.

**VSWR.** Refer to the TekConnect host instrument for the overall system VSWR.

**Propagation Delay.** 160 ps ± 5 ps.

### Additional Information

For additional information on using the TekConnect adapters, refer to the documentation for the host instrument.

### Warranty Information

For warranty information, go to [www.tektronix.com](http://www.tektronix.com), click Support, and then select Look Up Tektronix Warranty.

### Contacting Tektronix

Tektronix, Inc.  
14200 SW Karl Braun Drive  
PO Box 500  
Beaverton, OR 97077  
USA

For product information, sales, service, and technical support:

- In North America, call 1-800-833-9200.
- Worldwide, visit [www.tektronix.com](http://www.tektronix.com) to find contacts in your area.