



ABN 43 064 478 842

➤ 231 Osborne Avenue Clayton South, VIC 3169
 PO Box 1548, Clayton South, VIC 3169
 t 03 9265 7400 f 03 9558 0875
 freecall 1800 680 680
www.tmgtestequipment.com.au

Test & Measurement

- sales
- rentals
- calibration
- repair
- disposal

Complimentary Reference Material

This PDF has been made available as a complimentary service for you to assist in evaluating this model for your testing requirements.

TMG offers a wide range of test equipment solutions, from renting short to long term, buying refurbished and purchasing new. Financing options, such as Financial Rental, and Leasing are also available on application.

TMG will assist if you are unsure whether this model will suit your requirements.

Call TMG if you need to organise repair and/or calibrate your unit.

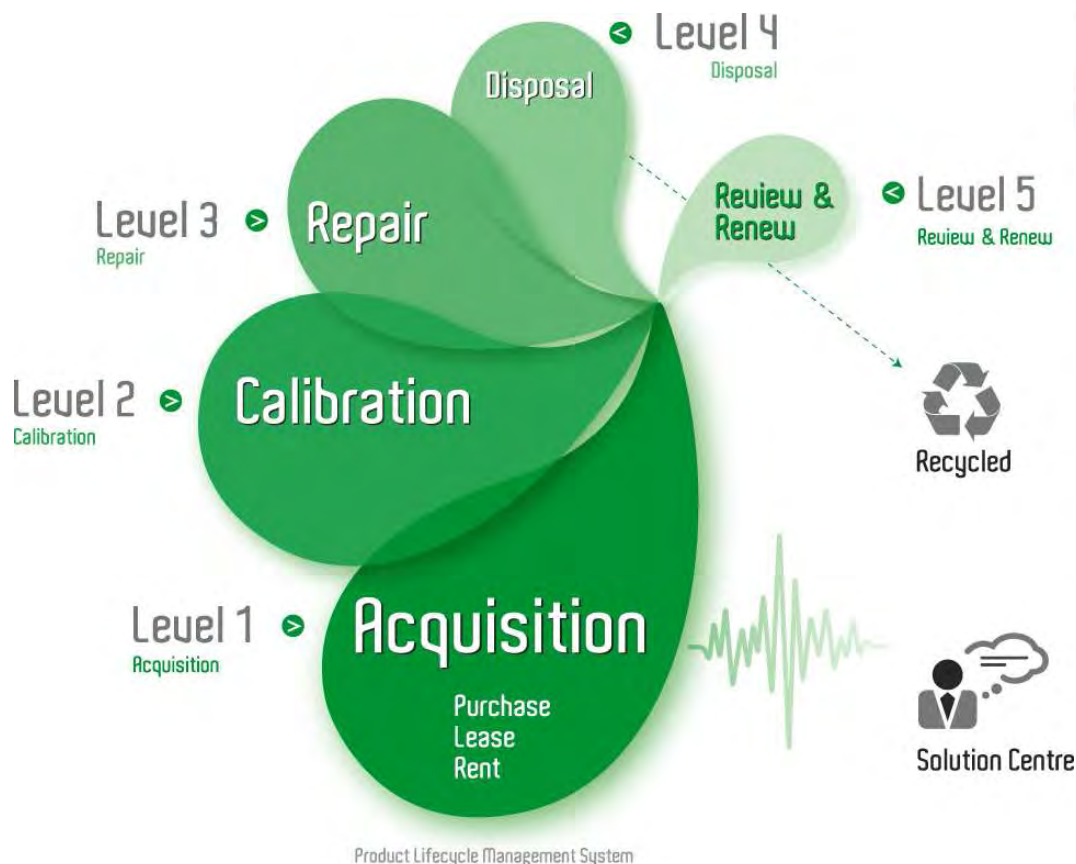
If you click on the “Click-to-Call” logo below, you can call us for FREE!

TMG Corporate Website

TMG Products Website



Click-to-Call
TMG Now



Disclaimer:

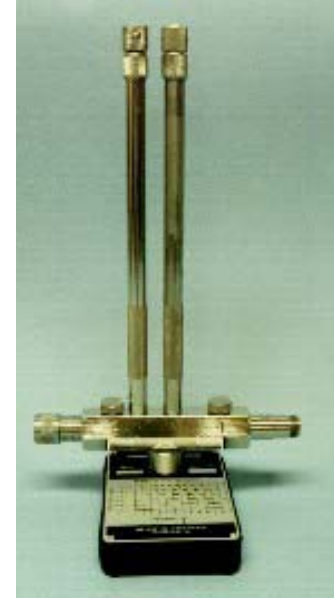
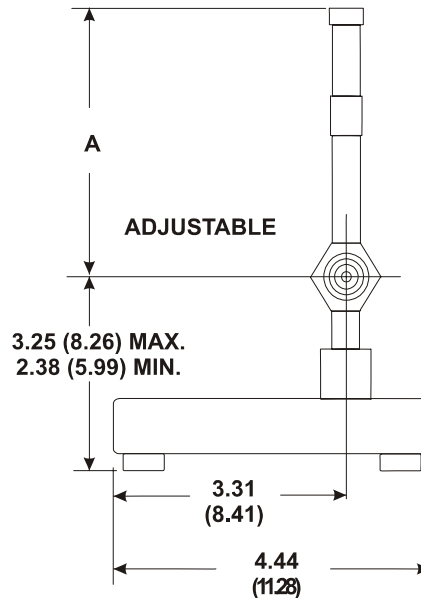
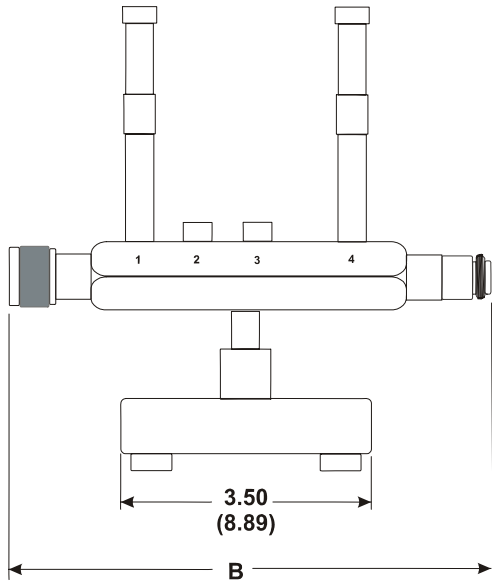
All trademarks appearing within this PDF are trademarks of their respective owners.



Double Stub Tuner

MODEL DS-109

40 MHz – 13 GHz



Specifications

Nominal Impedance: 50 ohms

Matching Range: From 7:1 to 1.00 within tuner frequency range.

Dimensions:

Model No.	DS - 109	DS - 109L	DS-109LL**
Frequency	0.75 – 13.0 GHz	0.4 – 4.0 GHz	0.2 – 2.0 GHz
Length of Stub	70.5 cm.	38cm.	53 cm.
Net Weight	5 lbs. (2.56 kg)	6 lbs. (2.73 kg)	12 lbs. (5.45 kg)
Shipping Weight	8 lbs. (3.64 kg)	9 lbs. (4.38 kg)	15 lbs. (6.82 kg)

Model No.	DIM "A" *	DIM "B"
DS-109	18.50 (46.49)	7.38 (18.75)
DS-109L	32.50 (82.55)	7.38 (18.75)
DS-109LL	63.25 (160.66)	12.00 (30.48)

Connectors: Tuners are equipped with close tolerance, stainless steel Type N, one male, one female, for long life with minimum wear.

Construction:

* Stub height is adjustable, maximum value given

** Two pedestals are used for DS-109LL

Note: Dimensions are given in mm (inched). Dimensions are maximum unless otherwise specified



WEINSCHEL ASSOCIATES

TEL: 877.948.8342 / 301.963.4630 ♦ Fax: 301.963.8640

WEB: <http://www.WeinschelAssociates.com>

EMAIL: sales@WeinschelAssociates.com

Version 1.0.1

Specification
Subject to
change without
notice