



ABN 43 064 478 842

231 Osborne Avenue Clayton South, VIC 3169
PO Box 1548, Clayton South, VIC 3169
t 03 9265 7400 f 03 9558 0875
freecall 1800 680 680
www.tmgtestequipment.com.au

Test & Measurement

- > sales
- > rentals
- > calibration
- > repair
- > disposal

Complimentary Reference Material

This PDF has been made available as a complimentary service for you to assist in evaluating this model for your testing requirements.

TMG offers a wide range of test equipment solutions, from renting short to long term, buying refurbished and purchasing new. Financing options, such as Financial Rental, and Leasing are also available on application.

TMG will assist if you are unsure whether this model will suit your requirements.

Call TMG if you need to organise repair and/or calibrate your unit.

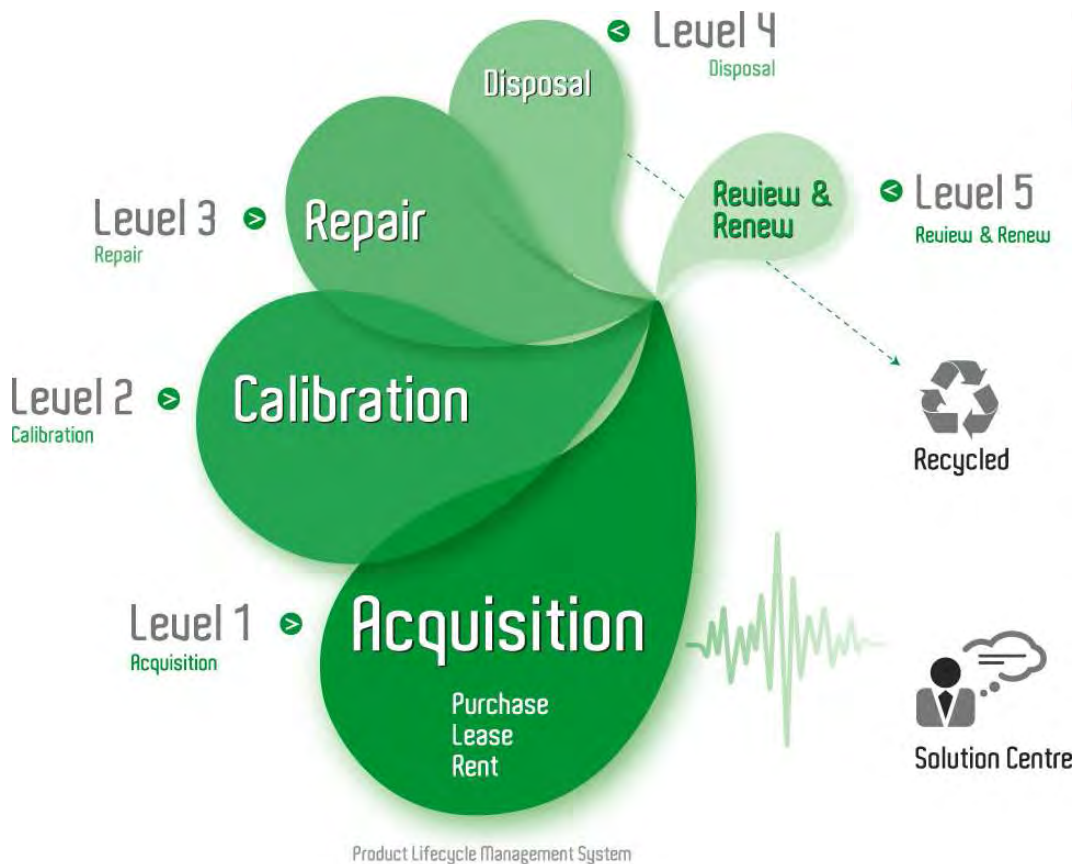
If you click on the "Click-to-Call" logo below, you can call us for FREE!

TMG Corporate Website

TMG Products Website



Click-to-Call
TMG Now



Disclaimer:

All trademarks appearing within this PDF are trademarks of their respective owners.

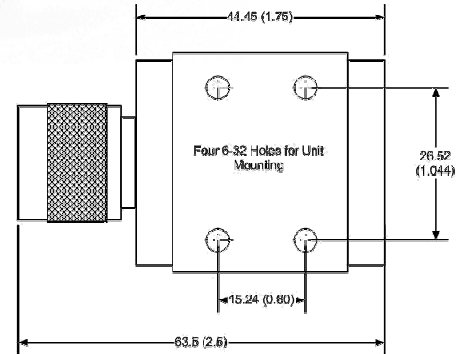
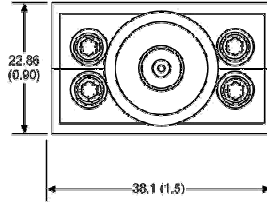


TERMINATION Low-Profile Mountable

Model WA1421/4 & WA1421

DC—4.0 GHz WA1421/4
DC—8.5 GHz WA1421

25 Watts
25 Watts



Features

Designed to meet environmental requirements of MIL-DTL-39030. Conductive cooling.

Specifications

Nominal Impedance: 50 ohms

Frequency Range:

WA1421/4 DC - 4.0 GHz
WA1421 DC - 8.5 GHz

Power Rating: 25 watts average, 5 kilowatt peak (5 μ sec pulse width; 1.5% duty cycle) with case temperature held to +100°C maximum using conductive heat sink.

Temperature Range: -55°C to +125°C

Temperature Coefficient: < 0.0004 dB/dB/°C

Calibration: VSWR performed across frequency range. Calibration test data available at additional cost.

Construction: Aluminum alloy body with passivated stainless steel connectors. Gold plated beryllium copper contacts.

Maximum VSWR:

Frequency (GHz)	VSWR
DC – 4.0	1.20
4.0 – 8.5	1.30

Connectors: Type N or SMA, stainless steel M/F connectors per MIL-STD-348A, interface dimensions mate nondestructively with MIL-PRF-39012.

Weight:

Type N .17 kg/ 6 oz.

Physical Dimensions:

Length:

Connector Type	Length
Type N	78.7 (3.1)
SMA	71.1 (2.8)

Note: Dimensions are given in mm (inches) and are maximum, unless otherwise specified



WEINSCHEL ASSOCIATES

TEL: 877.948.8342 / 301.963.4630 ♦ Fax: 301.963.8640

WEB: <http://www.WeinschelAssociates.com>

EMAIL: sales@WeinschelAssociates.com

78

Specification
Subject to change
without notice