



ABN 43 064 478 842

231 Osborne Avenue Clayton South, VIC 3169
PO Box 1548, Clayton South, VIC 3169
t 03 9265 7400 f 03 9558 0875
freecall 1800 680 680
www.tmgtestequipment.com.au

Test & Measurement

- > sales
- > rentals
- > calibration
- > repair
- > disposal

Complimentary Reference Material

This PDF has been made available as a complimentary service for you to assist in evaluating this model for your testing requirements.

TMG offers a wide range of test equipment solutions, from renting short to long term, buying refurbished and purchasing new. Financing options, such as Financial Rental, and Leasing are also available on application.

TMG will assist if you are unsure whether this model will suit your requirements.

Call TMG if you need to organise repair and/or calibrate your unit.

If you click on the "Click-to-Call" logo below, you can call us for FREE!

TMG Corporate Website

TMG Products Website



Click-to-Call
TMG Now



Product Lifecycle Management System

Disclaimer:

All trademarks appearing within this PDF are trademarks of their respective owners.



FLUKE®

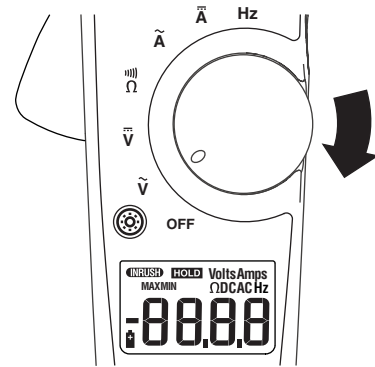
336 and 337 Clamp Meter Instruction Card

Warning

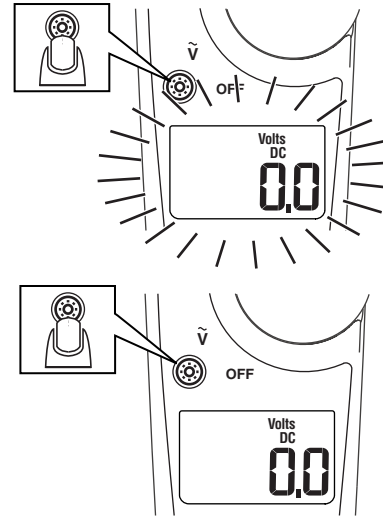
Read the 333, 334, 335, 336, 337 Clamp Meter Safety Sheet before using this meter.

- Lisez la fiche de sécurité 333, 334, 335, 336, 337 Clamp Meter Safety Sheet avant d'utiliser cet appareil.
- Prima di usare questo strumento, leggere il documento 333, 334, 335, 336, 337 Clamp Meter Safety Sheet.
- Vor der Verwendung des Meßgeräts die Sicherheitsinformationen zum 333, 334, 335, 336, 337 Clamp Meter lesen
- Lea la hoja de instrucciones de seguridad "333, 334, 335, 336, 337 Clamp Meter Safety Sheet" antes de utilizar este medidor.
- Leia "333, 334, 335, 336, 337 Clamp Meter Safety Sheet" antes de usar este medidor.
- Lees het 333, 334, 335, 336, 337 Clamp Meter Safety Sheet voordat u deze meter gebruikt
- Les 333, 334, 335, 336, 337 Clamp Meter Safety Sheet før måleinstrumentet tas i bruk.
- Man skal læse "333, 334, 335, 336, 337 Clamp Meter Safety Sheet" inden man tager instrumentet i brug.
- Lue 333, 334, 335, 336, 337 Clamp Meter Safety Sheet ennen tämän laitteen käyttöä.
- Läs säkerhetsdatabladet "333, 334, 335, 336, 337 Clamp Meter Safety Sheet" innan du använder detta instrument.
- 本器を使用する前に、333, 334, 335, 336, 337 Clamp Meter SafetySheet (333, 334, 335, 336, 337 クランプ・メーターの安全シート)をお読みください。
- 이 계기를 사용하기 전에 333, 334, 335, 336, 337 Clamp Meter Safety Sheet 를 읽으십시오.
- 使用本儀表前請先閱讀 333, 334, 335, 336, 337 Clamp Meter Safety Sheet。
- 使用本仪表前请先阅读 333, 334, 335, 336, 337 Clamp Meter Safety Sheet
- โปรดอ่านแผ่นข้อมูลเพื่อความปลอดภัย 333, 334, 335, 336, 337 Clamp Meter Safety Sheet ก่อนที่ท่านจะใช้มิเตอร์นี้

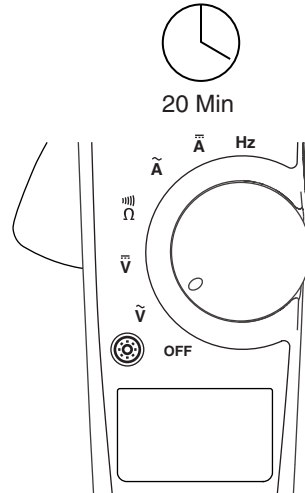
On/Off



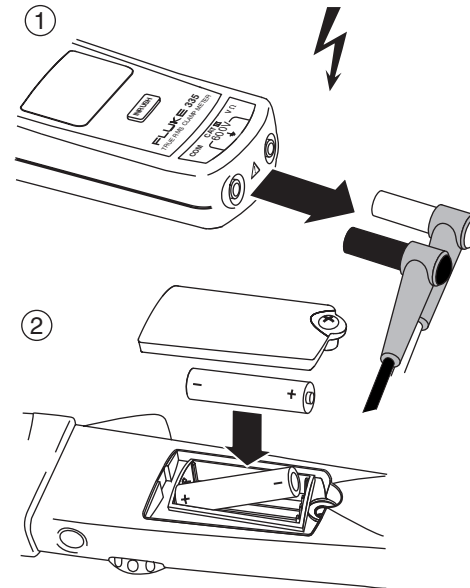
Backlight On/Off



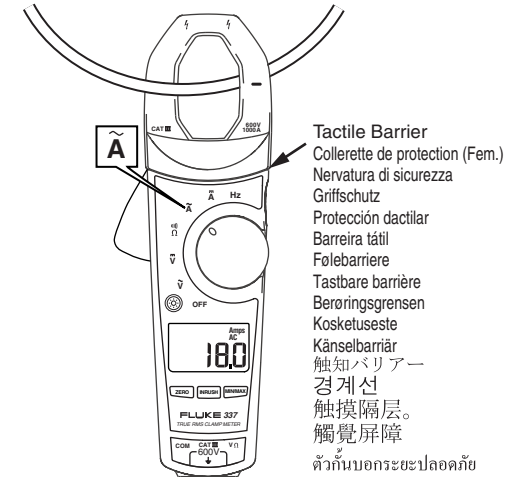
Automatic Off



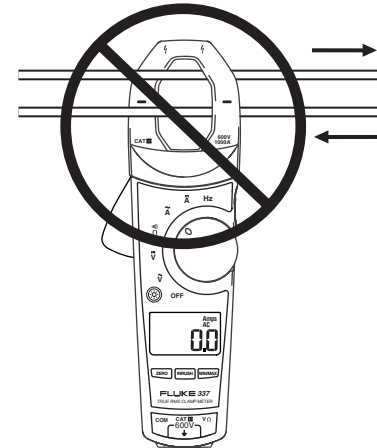
Battery Replacement



~ A



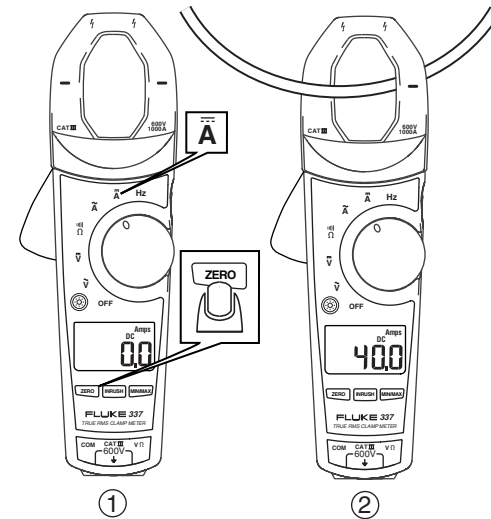
Tactile Barrier
Collerette de protection (Fem.)
Nervatura di sicurezza
Grifschutz
Protección dactilar
Barreira tátil
Folebarriere
Tastbare barriere
Beröringsgrensen
Kosketuseste
Känselfarriär
触知バリアー
경계선
觸摸隔层。
觸覺屏障
ตัวกั้นบอกระยะปลอดภัย



Currents Cancel

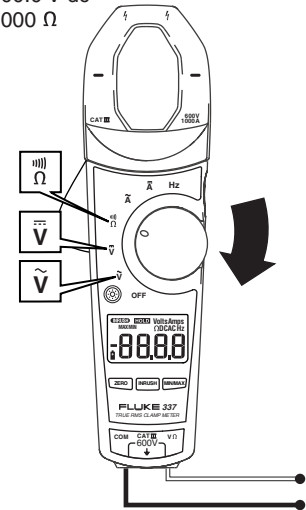
Les courants s'annulent, Le correnti si cancellano,
Ströme abbrechen, Se cancelan las corrientes,
Cancelamento de correntes, Strömen compenseren
elkaar, Strømutfjævning, Strømstyrkeannullering
Strømstyrker udbalancerer, Virta pois, Avbryt strøm
電流のキャンセル, 전류 상쇄, 電流互相取消,
電流互相取消, ยกเลิกกระแสไฟฟ้า

~ A

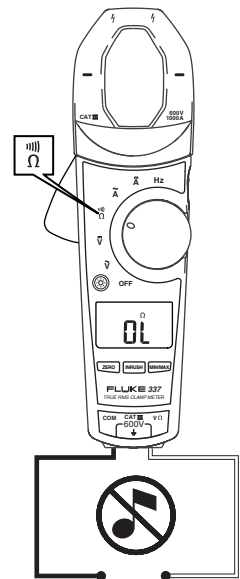
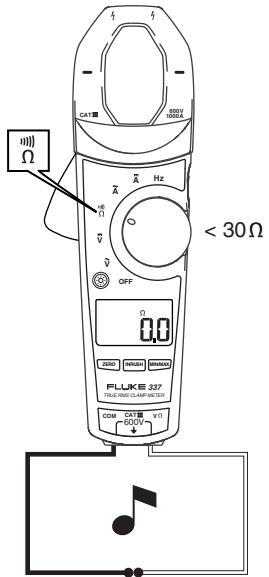


V, Ω

0 - 600.0 V ac
0 - 600.0 V dc
0 - 6000 Ω

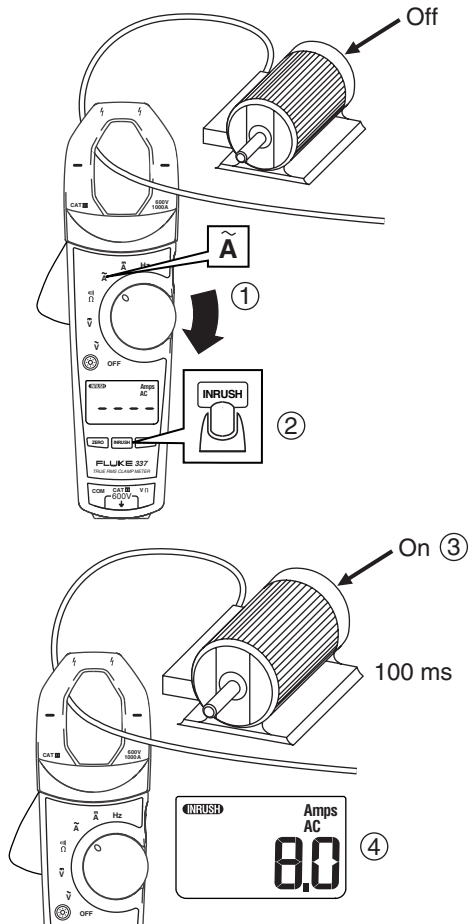


Continuity

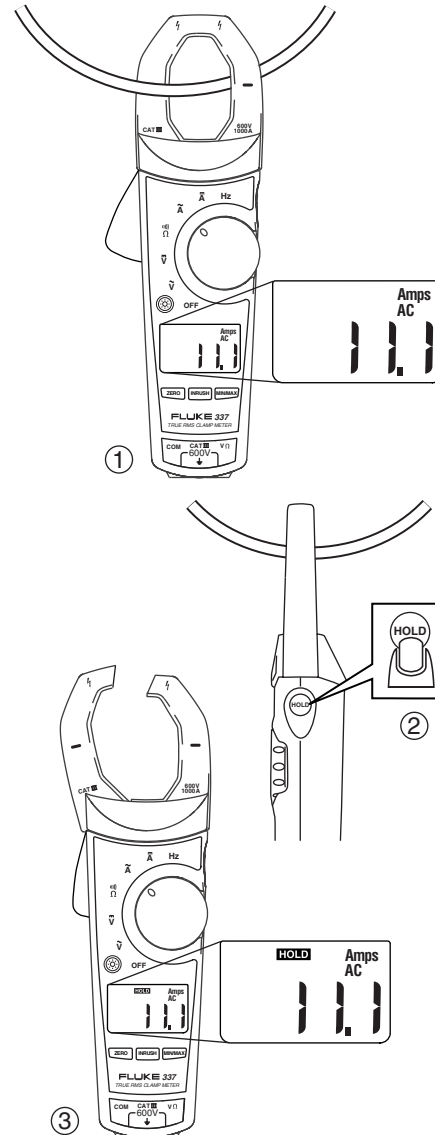


Inrush Current

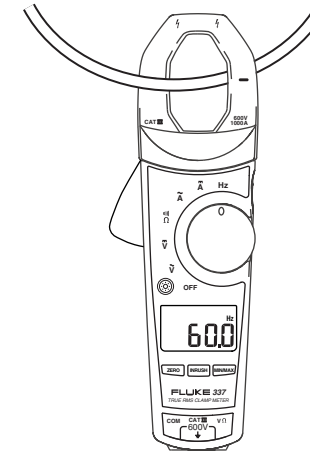
Appel de courant, Corrente di spunto, Einschaltstoßstrom, Corriente de entrada, Corrente de partida, Inkomende stroom, Innkopplingsstrømspiss, Sekundær tomgangsstrømstyrke, Tasoitettu virta, Inström, 突入電流, 유입 전류, 湧流, 涌流, กระแสไฟแรง



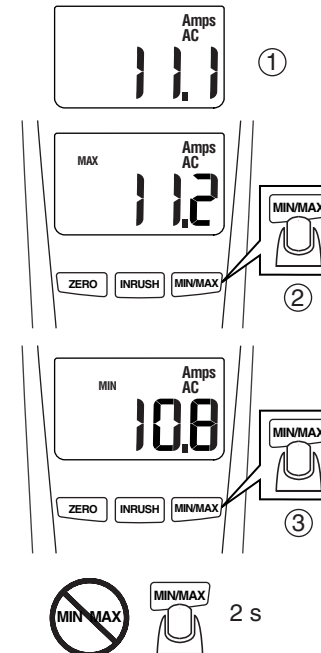
Hold




Hz (Amps Only) 337



Min Max 337



Specifications

* @ 23 °C ± 5 °C, 0 - 90 % RH		336	337
~ A	Range	0 - 600.0 A	0 - 999.9 A
	Accuracy	2 % ± 5 counts (10 - 100 Hz) 6 % ± 5 counts (100 - 400 Hz)	
	Crest Factor add 2% for CF > 2	3 @ 500 A 2.5 @ 600 A	3 @ 500 A 2.5 @ 600 A 1.42 @ 1000 A
	AC Response	rms	
Inrush	Integration Time	100 ms	
A	Range	0 - 600.0 A	0 - 999.9 A
	Accuracy	2 % ± 5 counts	
~ V (20 - 400 Hz)	Range	0 - 600.0 V	
	Accuracy	1 % ± 5 counts (20 - 100 Hz) 6 % ± 5 counts (100 - 400 Hz)	
	AC Response	rms	
V	Range	0 - 600.0 V	
	Accuracy	1 % ± 5 counts	
Ω	Range	0 - 600.0 Ω, 600 - 6000 Ω	
	Accuracy	1.5 % ± 5 counts	
Continuity		≤ 30 Ω	
Hz-Amps Only Trigger Level 10-100 Hz ≥ 5 A 5-10, 100-400 Hz > 10 A	Range	—	5.0 - 400.0 Hz
	Accuracy	—	0.5 % ± 5 counts
Storage Temperature		-40 °C to 60 °C	
Operating Temperature		-10 °C to 50 °C	
Altitude		2500 m	
EMC - instrument unspecified for use in EMC field ≥ 0.5 V/m			
CAT III 600V, pollution degree II: CAT III equipment is designed to protect against transients in equipment in fixed - equipment installations, such as distribution panels, feeders and short branch circuits, and lighting systems in large buildings.			
* < 18 °C, > 28 °C add 0.1 x (specified accuracy)/ °C			