



ABN 43 064 478 842

231 Osborne Avenue Clayton South, VIC 3169  
PO Box 1548, Clayton South, VIC 3169  
t 03 9265 7400 f 03 9558 0875  
freecall 1800 680 680  
www.tmgtestequipment.com.au

## Test & Measurement

- > sales
- > rentals
- > calibration
- > repair
- > disposal

## Complimentary Reference Material

This PDF has been made available as a complimentary service for you to assist in evaluating this model for your testing requirements.

TMG offers a wide range of test equipment solutions, from renting short to long term, buying refurbished and purchasing new. Financing options, such as Financial Rental, and Leasing are also available on application.

TMG will assist if you are unsure whether this model will suit your requirements.

Call TMG if you need to organise repair and/or calibrate your unit.

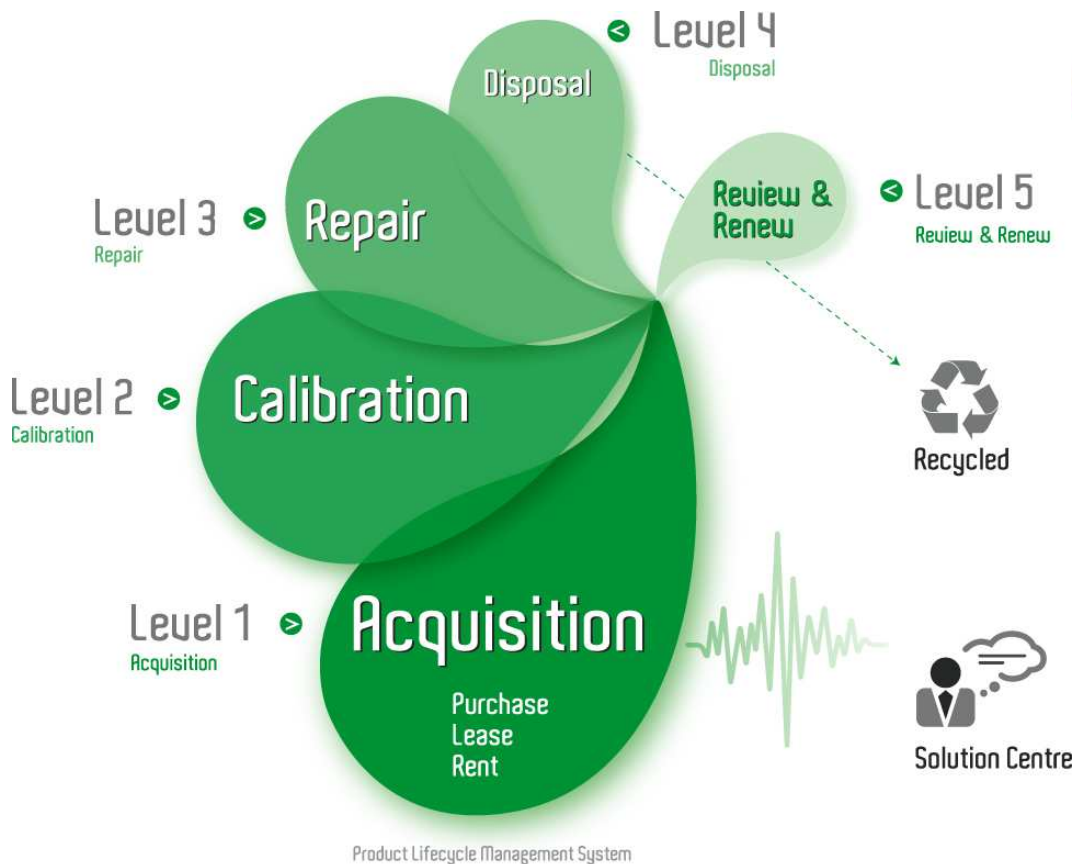
If you click on the "Click-to-Call" logo below, you can call us for FREE!

TMG Corporate Website

TMG Products Website



Click-to-Call  
TMG Now



Product Lifecycle Management System

### Disclaimer:

All trademarks appearing within this PDF are trademarks of their respective owners.





# Fixed Coaxial Attenuators



**Model 40**  
**Model 57**

**dc to 1.5 GHz**  
**dc to 5.0 GHz**

**High Power Fixed Coaxial Attenuator**  
**Type N Connectors**

**150 Watts**  
**RoHS**



## Features

- Quality connectors with special high temperature support beads.
- Designed to meet environmental requirements of MIL-DTL-3933.

## Specifications

**NOMINAL IMPEDANCE:** 50 Ω

**FREQUENCY RANGE:** Model 40: dc to 1.5 GHz  
Model 57: dc to 5.0 GHz

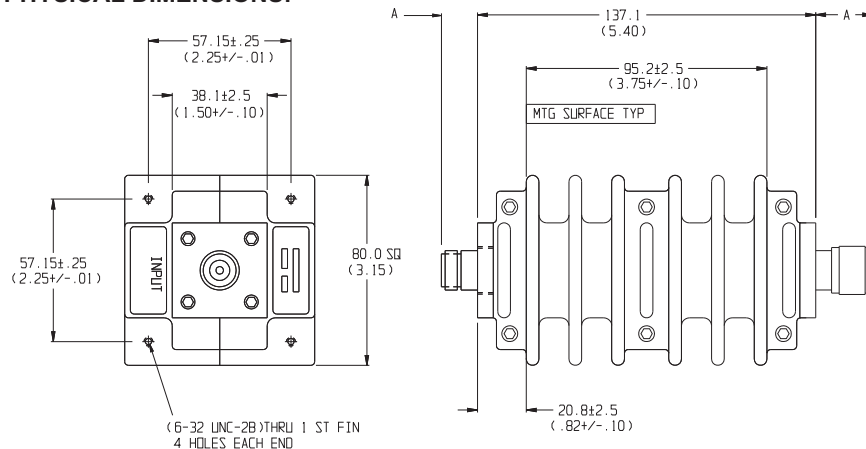
MAXIMUM DEVIATION OVER FREQUENCY:			
Nominal ATTN (dB)	Deviation (dB)		
	40	57	57-LIM
3*	± 0.50	± 1.25	- - -
6, 10	± 0.50	± 1.25	± 1.75
20, 30	± 0.50	± 1.50	± 2.00
40	± 0.50	± 2.00	± 2.00

MAXIMUM SWR:		
Frequency (GHz)	Input	Output
dc - 2 (1.5*)	1.10	1.20 (1.10*)
2 - 5	1.15	1.20

\* Model 40 only!

**3rd ORDER INTERMODULATION (57-XX-XX-LIM ONLY):** Reflected Levels (IM3), -100 & Through Levels (IM3), -110 dBc with two input signals @ 869 MHz and 891 MHz with average carrier power levels of +43 dBm each. Option only available 6, 10, 20, 30, 40 dB.

## PHYSICAL DIMENSIONS:



Connector	DIM A
N Male	22.9 (0.90)
N Female	15.0 (0.59)

### NOTE:

- All dimensions are given in mm (inches) and are maximum, unless otherwise specified.
- Unit available with RoHS compliant materials, specify when ordering.

**POWER RATING** (mounted horizontally with fins vertical): 150 watts average (unidirectional) to 55°C ambient temperature, derated linearly to 10% @ 125°C. Note: 3 dB model can handle 300 Watts average (unidirectional). 10 kilowatt peak (5 μsec pulse width; 0.75% duty cycle). Maximum power rating into output port is 20 watts average.

**POWER COEFFICIENT:** <0.0001 dB/dB/watt

**TEMPERATURE COEFFICIENT:** <0.0004 dB/dB/°C

**TEMPERATURE RANGE:** -55°C to 125°C

**TEST DATA:** Insertion loss test data supplied at 0.05, 1, 2, 3, 4, and 5 GHz (Model 40 at 0.05 and 1.5 GHz). Other test data can be provided at additional cost.

**CONNECTORS:** Type N connectors per MIL-STD-348 interface dimensions - mate nondestructively with MIL-C-39012 connectors.

### Connector Options

3  
4

### Type/Description

Type N, Female  
Type N, Male

**CONSTRUCTION:** Aluminum alloy body, stainless steel connectors; gold plated beryllium female copper contacts and stainless steel male contacts.

**WEIGHT:** 1,130 g (2 lbs, 8 oz.) maximum

### MODEL NUMBER DESCRIPTION:

Example:

**57 - XX - XX - LIM**

Basic Model Number

Attenuation Value (dB)

Connector Options  
1st digit is input side  
2nd digit is output side

\* Add -LIM for Low Intermodulation option. Option only available with Model 57 in 6, 10, 20, 30, 40 dB and is not available through Express.

