



ABN 43 064 478 842

➤ 231 Osborne Avenue Clayton South, Vic 3169
 PO Box 1548, Clayton South, Vic 3169
 t 03 9265 7400 f 03 9558 0875
 freecall 1800 680 680
www.tmgtestequipment.com.au

Test & Measurement

- sales
- rentals
- calibration
- repair
- disposal

Complimentary Reference Material

This PDF has been made available as a complimentary service for you to assist in evaluating this model for your testing requirements.

TMG offers a wide range of test equipment solutions, from renting short to long term, buying refurbished and purchasing new. Financing options, such as Financial Rental, and Leasing are also available on application.

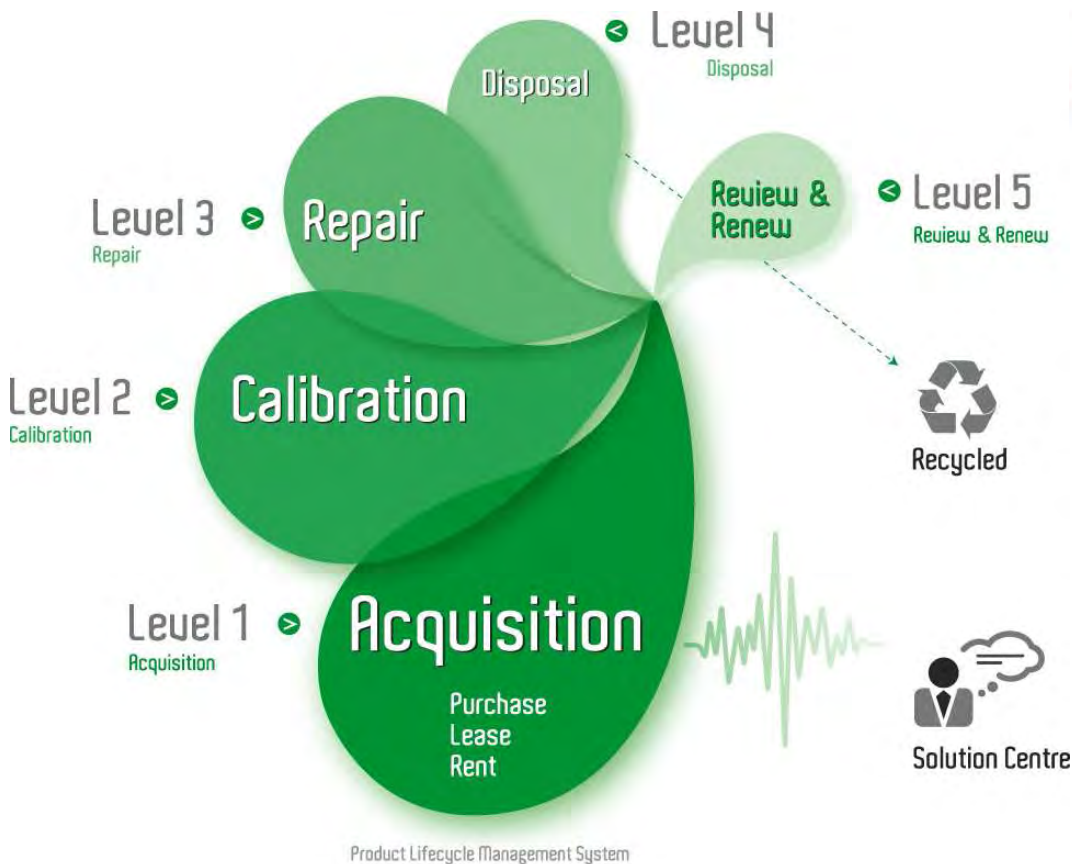
TMG will assist if you are unsure whether this model will suit your requirements.

Call TMG if you need to organise repair and/or calibrate your unit.

If you click on the “Click-to-Call” logo below, you can call us for FREE!

TMG Corporate Website

TMG Products Website



Disclaimer:

All trademarks appearing within this PDF are trademarks of their respective owners.

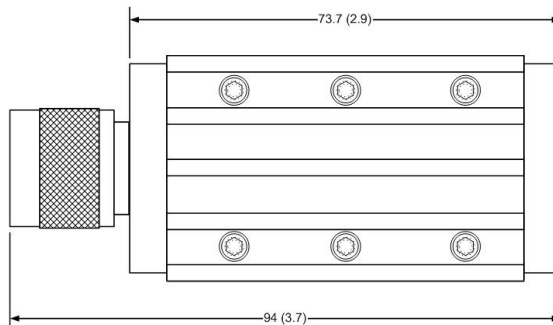
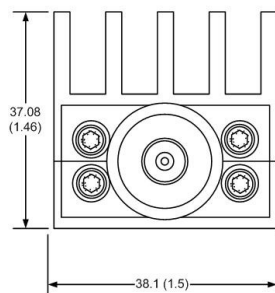


TERMINATION

MODEL WA1426B

DC – 8.5 GHz

50 WATTS



Features

Type N, SMA or TNC connectors per MIL-STD-348A, interface dimensions mate nondestructively with MIL-PRF-39012.

Specifications

Nominal Impedance: 50 ohms

Frequency Range: DC - 8.5 GHz

Power: Full power (50 W) from -55°C to +25°C. Derated linearly to 2.5 W at +125°C. 5 kilowatts peak power.

Temperature Range: -55°C to +125°C.

Maximum VSWR:

Frequency (GHz)	VSWR
DC – 4.0	1.20
4.0 – 8.5	1.30

Calibration: VSWR performed across frequency range. Calibration test data available at additional cost.

Construction: Black aluminum alloy body with passivated stainless steel connectors. Gold plated beryllium copper male and female contacts.

Weight: 0.28 kg/ 10 oz

Physical Dimensions:

Length:

Connector Type	Length
Type N Female -3	88.90 (3.22)
Type N Male -4	97.03 (3.7)

Mounting: Six, 6-32 mounting holes on base.

Note: Dimensions are given in mm (inches) and are maximum, unless otherwise specified



WEINSCHEL ASSOCIATES

TEL: 877.948.8342 / 301.963.4630 ♦ Fax: 301.963.8640

WEB: <http://www.WeinschelAssociates.com>

EMAIL: sales@WeinschelAssociates.com