



ABN 43 064 478 842

231 Osborne Avenue Clayton South, VIC 3169  
PO Box 1548, Clayton South, VIC 3169  
t 03 9265 7400 f 03 9558 0875  
freecall 1800 680 680  
www.tmgtestequipment.com.au

## Test & Measurement

- > sales
- > rentals
- > calibration
- > repair
- > disposal

## Complimentary Reference Material

This PDF has been made available as a complimentary service for you to assist in evaluating this model for your testing requirements.

TMG offers a wide range of test equipment solutions, from renting short to long term, buying refurbished and purchasing new. Financing options, such as Financial Rental, and Leasing are also available on application.

TMG will assist if you are unsure whether this model will suit your requirements.

Call TMG if you need to organise repair and/or calibrate your unit.

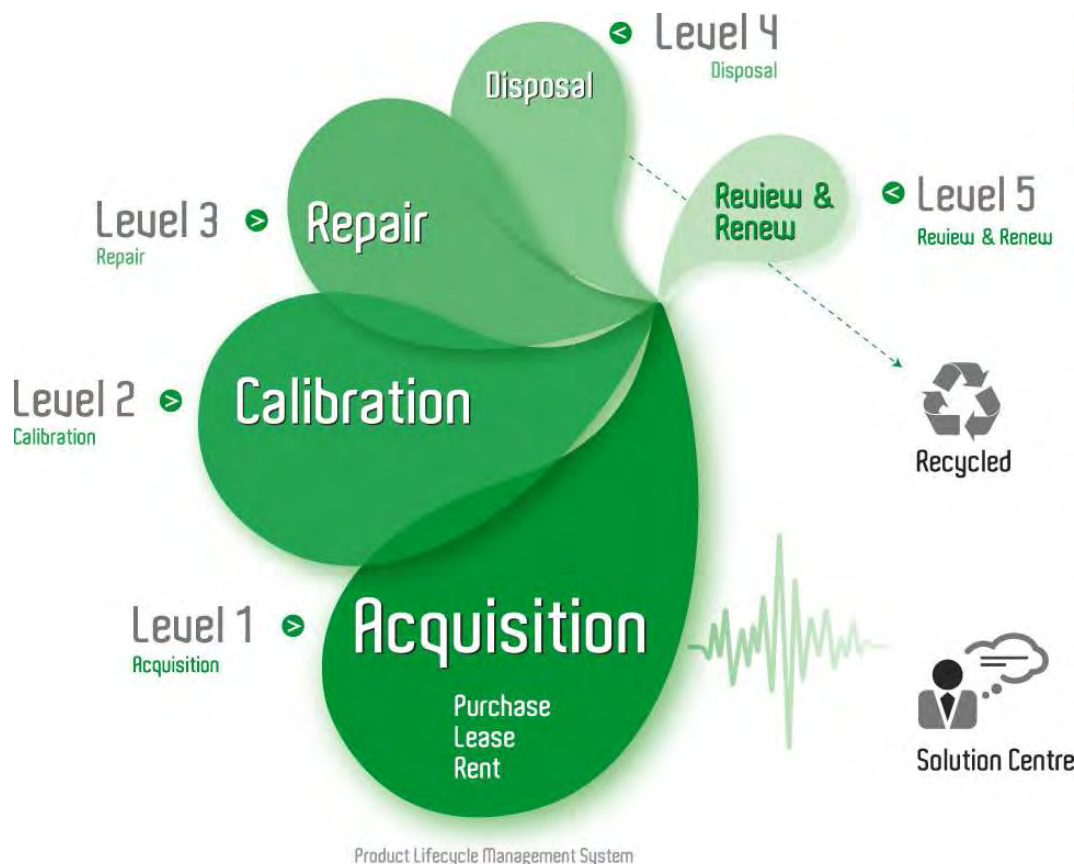
If you click on the "Click-to-Call" logo below, you can call us for FREE!

TMG Corporate Website

TMG Products Website



Click-to-Call  
TMG Now



### Disclaimer:

All trademarks appearing within this PDF are trademarks of their respective owners.

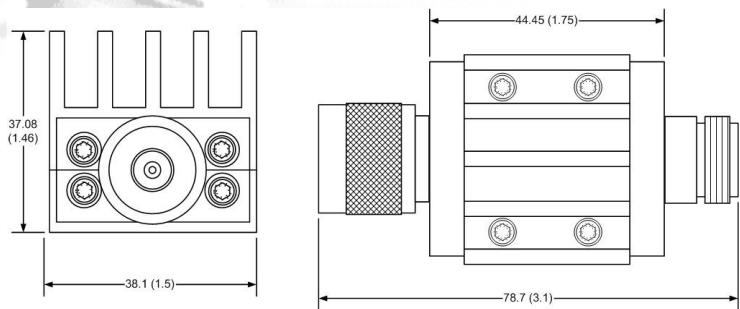
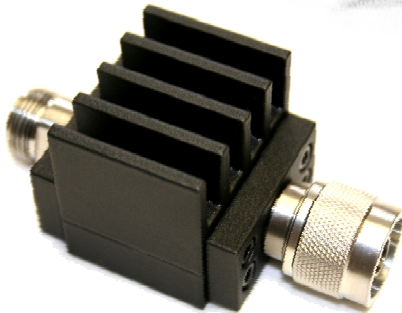


# Fixed Coaxial Attenuator

# MODEL WA34B

DC – 4.0 GHz

25 WATTS



## Features

Type N, SMA, or DIN 7/16 stainless steel M/F connectors per MIL-STD-348A, interface dimensions mate nondestructively with MIL-PRF-39012. Designed to meet MIL-DTL-3933.

## Specifications

**Nominal Impedance:** 50 ohms.

**Frequency Range:** DC - 4.0 GHz.

**Nominal dB Values:** 3 - 40 dB.

**Power Sensitivity:** < 0.0005 dB/dB/W;  
Bidirectional in power.

**Power Rating:** 25 watts average to 25°C ambient temperature, derated linearly to 2.5 watts at 125°C. 5 kilowatt peak (5 µsec pulse width; 0.5% duty cycle).

**Temperature Range:** -55°C to +125°C.

**Temperature Coefficient:** < 0.0004 dB/dB/°C.

**Standard Nominal Values and Deviations:**

Attenuation (dB)	Accuracy ± dB
	DC – 4.0 GHz
3,6,10,20,30	0.6
40	1.0

**Construction:** Black aluminum alloy body with passivated stainless steel connectors. Gold plated beryllium copper contacts.

**Calibration:** Insertion Loss and VSWR performed across frequency range. Calibration test data available at additional cost.

**Maximum VSWR:**

Frequency (GHz)	VSWR
DC - 2.0	1.10
2.0 - 4.0	1.20

**Weight:**

Type N .17 kg / 6 oz.  
DIN 7/16 .18 kg / 7 oz.

**Physical Dimensions:**

**Length:**

Connector Type	Length
Type N	81.53 (3.21)
DIN 7/16	106.68 (4.80)
SMA	71.12 (2.80)

Note: Dimensions are given in mm (inches) and are maximum, unless otherwise specified



## WEINSCHEL ASSOCIATES

TEL: 877.948.8342 / 301.963.4630 ♦ Fax: 301.963.8640

WEB: <http://www.WeinschelAssociates.com>

EMAIL: [sales@WeinschelAssociates.com](mailto:sales@WeinschelAssociates.com)