



ABN 43 064 478 842

231 Osborne Avenue Clayton South, VIC 3169  
PO Box 1548, Clayton South, VIC 3169  
t 03 9265 7400 f 03 9558 0875  
freecall 1800 680 680  
www.tmgtestequipment.com.au

## Test & Measurement

- > sales
- > rentals
- > calibration
- > repair
- > disposal

## Complimentary Reference Material

This PDF has been made available as a complimentary service for you to assist in evaluating this model for your testing requirements.

TMG offers a wide range of test equipment solutions, from renting short to long term, buying refurbished and purchasing new. Financing options, such as Financial Rental, and Leasing are also available on application.

TMG will assist if you are unsure whether this model will suit your requirements.

Call TMG if you need to organise repair and/or calibrate your unit.

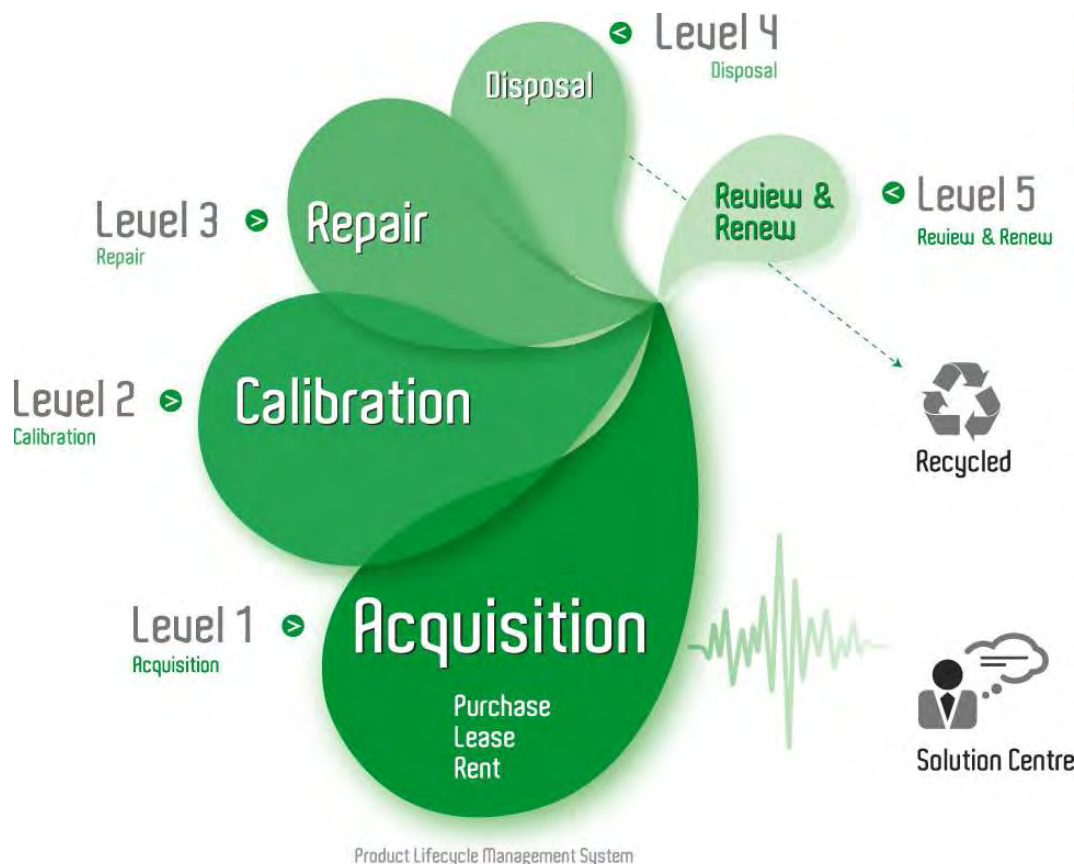
If you click on the "Click-to-Call" logo below, you can call us for FREE!

TMG Corporate Website

TMG Products Website



Click-to-Call  
TMG Now



Product Lifecycle Management System

### Disclaimer:

All trademarks appearing within this PDF are trademarks of their respective owners.

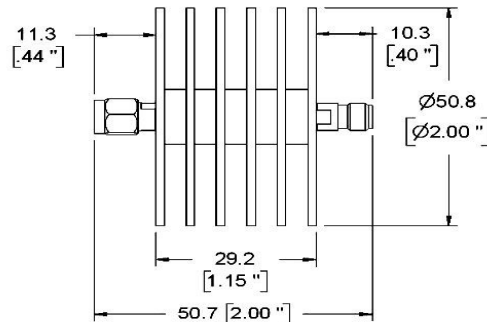


# Fixed Coaxial Attenuator 3.5mm Connectors

# MODEL WA74

DC – 26.5 GHz

25 WATTS



## Features

Designed to meet MIL-DTL-3933 environmental specification. Compact construction to meet a wide range of design requirements.

## Specifications

**Nominal Impedance:** 50 ohms.

**Frequency Range:** DC -26.5 GHz.

**Nominal dB Values:** 3 - 30 dB.

**Power Sensitivity:** < 0.0015 dB/dB/W.

**Power Rating:** 25W CW / 500W peak to 25°C ambient temperature, derated linearly to 2.5 watts at 125°C, 500 watt peak (5 µsec pulse width; 2.5% duty cycle). Power rating into output is 10% of the average power rating.

### Standard Nominal Values and Deviations:

Attenuation (dB)	Accuracy ± dB
	DC – 26.5 GHz
3	0.70
6, 10	1.00
20, 30	1.50

**Calibration:** Insertion Loss and VSWR performed across frequency range. Calibration test data available at additional cost.

**Temperature Coefficient:** < 0.0004 dB/dB/°C.

**Temperature Range:** -55°C to +125°C.

**Construction:** Black finned aluminum alloy body with passivated stainless steel connectors. Gold plated beryllium copper contacts.

**Connectors:** 3.5mm stainless steel M/F connectors per MIL-STD-348A, interface dimensions mate nondestructively with MIL-PRF-39012.

### Maximum VSWR:

Frequency (GHz)	VSWR
DC – 18.0	1.25
18.0 – 26.5	1.30

### Weight:

100g / 3.5 oz.

### Physical Dimensions:

#### Length:

Connector	Length
3.5mm M/F	50.7 (2.00)

**Diameter:** 50.8 (2.00).

Note: Dimensions are given in mm (inches) and are maximum, unless otherwise specified.



## WEINSCHEL ASSOCIATES

TEL: 877.948.8342 / 301.963.4630 ♦ Fax: 301.963.8640

WEB: <http://www.WeinschelAssociates.com>

EMAIL: [sales@WeinschelAssociates.com](mailto:sales@WeinschelAssociates.com)

63

Specification  
Subject to change  
without notice