



Enabling Australia's Field Technicians to build, troubleshoot and maintain better communications networks.



This reference material is provided by TMG Test Equipment, VI.AVI's **only** Master Distributor for Contractors in Australia



Industry Best Pricing



Finance Available



Short to Medium Project-Based Rental Solutions



Dedicated Technical & After-Sales Support



In-house Diagnostics, Repair & NATA Calibration Laboratory



FREECALL 1800 680 680

T3AS Compact Administration Shelf

Central processor and communications interface for the T3AS Test and Performance Monitoring System



Key Features

- IP communication link for central office wide area networks or X.25 communication link for legacy data communication systems
- Cost-effective alternative to T1 administration links to remote shelves
- Remote software download capabilities, eliminating the need for on-site visits
- Easy retrofit with existing T3AS administration shelf
- Onboard FLASH Hard Disk memory (optional) and network backup (no floppy or tape drives) for increased system reliability
- New compact design takes up 75 percent less vertical rack space than earlier designs

Because today's economic climate requires service providers to operate under strict capital expense limits, investments in system upgrades must be prioritized to reflect current and future revenue opportunities. One way to achieve this is to upgrade your JDSU T3AS systems with a next-generation, reliable, and low-cost T3AS Compact Administration Shelf.

Your T3AS Test and Performance Monitoring System is a comprehensive platform for remotely testing and monitoring existing and next-generation networks. It has been designed to support a multitude of applications at both digital cross-connect (DCS) and non-DCS locations. A key component of the system, the administration shelf provides the central processing and communications interfaces to the test access element and test operations system for up to eight other shelves.

Depending on the application, you can employ multiple shelves and subsystems in a variety of configurations. When used with T1 administration links deployed between the base T3AS and the remote shelves, the cost of one centralized administration shelf can be amortized over multiple shelves. T1 administration links can, however, be difficult to implement and expensive to maintain.

The T3AS Compact Administration Shelf alleviates this issue. Its much smaller size and lower cost make it economically feasible to deploy with stand-alone shelves, eliminating the need to implement complicated and costly T1 administration links for remote testing and monitoring. Therefore, you can use these available T1 circuits to support customer services for added revenue.

In addition to providing the functionality of its predecessor, the T3AS Compact Administration Shelf offers IP connectivity for central office WANs and remote software downloads. Your networks will operate more efficiently, more reliably, and more profitably than ever before.

IP connectivity

The T3AS Compact Administration Shelf provides IP connectivity while preserving X.25 communications, which allows service providers to migrate easily to a central office WAN configuration that meets their budget and schedule.

Easy, cost-effective deployment

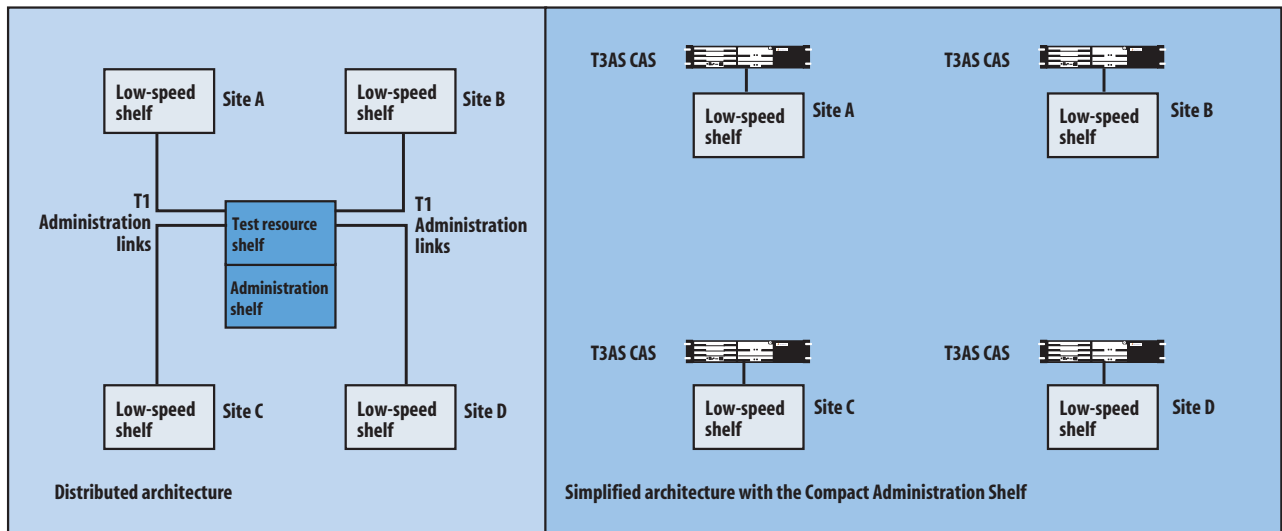
The unit's lower cost and smaller size enable the T3AS Compact Administration Shelf to be easily and economically deployed with stand-alone shelves, eliminating the need to implement and maintain costly T1 administration links.

Remote software downloads

With the T3AS Compact Administration Shelf's remote software download functionality, technicians no longer need to visit local sites to upgrade each system. This capability greatly reduces field support costs and allows rapid deployment of T3AS features and enhancements.

Reduced rack space requirement

Rack space in today's central offices is a scarce and valuable commodity. The T3AS Compact Administration Shelf's efficient design reduces the required rack space by almost 75 percent over earlier designs.



The T3AS Compact Administration Shelf's (T3AS CAS) smaller size and lower cost make it cost-effective to deploy with stand-alone shelves (shown right), eliminating the need to implement complicated and costly T1 administration links.

Specifications

Technical specifications

Electrical interfaces

Async/sync ports:	2 async/sync, 4 async
Craft ports:	1 async admin port (DB9) and 1 debug port (RJ-45)
Ethernet/IP:	One RJ-45 (10/100 auto-detect), rear panel
Expansion:	Five port hub with four RJ-45 network ports and one network/WAN port
Clock:	BITS clock interface (auto failover to internal Stratum 4 clock source)

Power

Nom. operating voltage:	-48 VDC
Oper. voltage range:	-60.0 to -40 VDC
Heat dissipation:	Passive, convection cooled

Mechanical

Compact admin shelf:	3.5" H x 21.3" W x 12" D
Plenum baffle:	3.5" H x 21.3" W x 12" D
Racks supported:	23"

Environmental

NEBS:	Meets or exceeds NEBS Level 3
-------	-------------------------------

Order information

Model number	Description
01-0109-0100	Compact Administration Shelf Package
01-0109-01SD	Compact Administration Shelf Package w/ Flash Drive

All statements, technical information and recommendations related to the products herein are based upon information believed to be reliable or accurate. However, the accuracy or completeness thereof is not guaranteed, and no responsibility is assumed for any inaccuracies. The user assumes all risks and liability whatsoever in connection with the use of a product or its application. JDSU reserves the right to change at any time without notice the design, specifications, function, fit or form of its products described herein, including withdrawal at any time of a product offered for sale herein. JDSU makes no representations that the products herein are free from any intellectual property claims of others. Please contact JDSU for more information. JDSU and the JDSU logo are trademarks of JDS Uniphase Corporation. Other trademarks are the property of their respective holders. ©2006 JDS Uniphase Corporation. All rights reserved. 30137156 500 0206 T3ASCAS.DS.SYS.TM.AE

Test & Measurement Regional Sales

NORTH AMERICA TEL: 1 866 228 3762 FAX: +1 301 353 9216	LATIN AMERICA TEL: +55 11 5503 3800 FAX: +55 11 5505 1598	ASIA PACIFIC TEL: +852 2892 0990 FAX: +852 2892 0770	EMEA TEL: +49 7121 86 2222 FAX: +49 7121 86 1222	WEBSITE: www.jdsu.com
---	--	---	---	--